

INSTRUCTION MANUAL  
AX90034-1001

# TRAIL PROVEN OFF-ROAD PERFORMANCE

# SCX10™

**JEEP® WRANGLER G6™**  
BUILD IT YOURSELF KIT VERSION  
1/10th SCALE ELECTRIC 4WD



**axial®**  
[www.axialracing.com](http://www.axialracing.com)

# SCX10

## CAUTIONS



To prevent serious personal injury and/or property damage, operate all remotely controlled models in a responsible manner as outlined herein.

### CHOOSE THE RIGHT PLACE TO OPERATE YOUR R/C MODEL.

- Do not run on public streets or highways. This could cause serious accidents, personal injuries, and/or property damage.
- Never run R/C models near people or animals.
- To avoid injury, do not run in confined spaces.
- Do not run where loud noises can disturb others, such as hospitals and residential areas.
- Never run indoors. There is a high risk of fire and/or damage.

### INSPECT YOUR MODEL BEFORE OPERATION.

- Make sure that all screws and nuts are properly tightened. It is also a good idea to use removable thread lock wherever metal screws go into metal, especially for engine mounts and the engine pilot shaft.
- Always use fresh batteries for your transmitter and for your receiver to avoid losing control of the model.
- Always test the brakes and throttle before starting your engine to avoid losing control of the model.
- Make sure no one else is using the same radio frequency as you are using.

### AFTER OPERATION OF YOUR R/C MODEL

- Turn off receiver first, then turn off transmitter, this will prevent runaways.
- Be careful when handling batteries, they will be hot after running.
- Replace any batteries that have been dented or have frayed wires, short circuits can cause fire.
- Be sure to keep your R/C model clean and free of excess dirt and grease, this will increase the life.

## VORSICHT!



Um Verletzungen an Personen und/oder Sachschäden zu vermeiden, sollten alle ferngesteuerten Modelle sorgfältig und verantwortungsbewusst bedient werden, wie nachfolgend beschrieben.

### Wählen Sie den richtigen Platz zum Fahren

- Fahren Sie niemals auf öffentlichen Straßen. Dies könnte Verkehrsunfälle, Personen schäden oder Sachschäden verursachen.
- Fahren Sie niemals in der Nähe von anderen Personen oder Tieren.
- Fahren Sie niemals auf belebten Straßen.
- Fahren Sie nie in der Nähe von Wohnhäusern oder Krankenhäusern. Der Lärm könnte andere Personen stören.
- Fahren Sie niemals in Innenräumen. Dort könnte etwas beschädigt werden.

### Überprüfen Sie Ihr Modell, bevor Sie es in Betrieb nehmen.

- Gehen Sie sicher, dass alle Schrauben und Muttern festgezogen sind. Verwenden Sie überall dort Schrauben-Sicherungslack, wo Metallschrauben in ein Metallgewinde greifen, besonders bei den Motorhaltern.
- Um Störungen zu vermeiden, benutzen Sie immer voll geladene Akkus in Ihrem Sender und Empfänger.
- Bevor Sie den Motor starten, sollten Sie immer die Funktion der Bremse und des Gashebels testen.
- Gehen Sie sicher, dass niemand mit der gleichen Frequenz fährt wie Sie.

### Nach Betrieb des RC Modells:

- Zuerst den Empfänger abdrehen, dann den Sender abdrehen um unkontrolliertes Durchgehen zu vermeiden.
- Seien Sie vorsichtig mit gebrauchten Akkus, sie können nach dem Gebrauch heiß sein.
- Ersetzen Sie Akkus/Batterien die beschädigt sind oder schadhafte Kabel aufweisen, sie können Kurzschlüsse oder Feuer verursachen.
- Halten Sie Ihr Fahrzeug sauber und entfernen Sie Schmutz und Schmierfett, damit erhöhen Sie die Lebensdauer Ihres Modells.

## PRECAUTIONS



Afin d'éviter toutes blessures corporelles et/ou dommages environnants, veuillez procéder en toute responsabilité comme indiqué ci-dessous

### Choisir le lieu adéquat pour faire rouler votre modèle.

- Ne jamais rouler dans les rues ou sur les routes ouvertes au public. Ceci peut provoquer de graves accidents.
- Ne jamais rouler près de personnes ou d'animaux.
- Pour éviter les blessures, ne pas rouler dans des espaces confinés.
- Ne jamais rouler où le bruit peut déranger, comme aux abords des hôpitaux ou des quartiers résidentiels.
- Ne jamais rouler à l'intérieur: les gaz d'échappement sont nocifs.

### Controler votre modèle avant chaque utilisation.

- Vérifier que les vis et les écrous sont bien serrés. Il est très fortement conseillé d'utiliser du frein filet pour bloquer les vis qui sont en contact avec du métal et tout particulièrement les vis du moteur.
- Toujours utiliser des batteries bien chargées pour l'émission et la réception.
- Toujours vérifier les freins et la commande des gaz avant de démarrer.
- Vérifier qu'aucune autre personne n'utilise votre fréquence radio.

### Après l'Opération De Votre Modèle de R/C

- Le virage du récepteur premier, alors virage de l'émetteur, ceci empêchera des fugitifs.
- Faire attention en contrôlant des piles, ils auront chaud après avoir couru.
- Remplacer n'importe quelles piles qui ont été cabossées ou a éraillé des fils, les court-circuits peuvent causer le feu.
- Etre sûr de garder votre modèle de R/C nettoie et libère de terre et la graisse supplémentaires, ceci augmentera la vie.

**Equipment needed / Benötigtes Zubehör / Equipement nécessaire**

**Radio Gear / Fernsteueranlage / Equipement Radio**

**Radio control system**

• You will need a 2-Channel radio system with one servo, receiver, an electronic speed control with an ON/OFF switch.

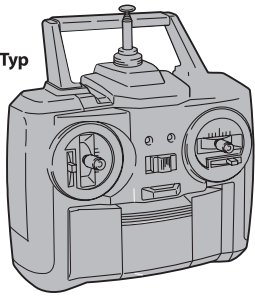
**Fernsteueranlage**

• Sie werden ein 2-kanal Radio System mit einem Servo, Empfänger, eine elektronische Geschwindigkeitssteuerung mit einem Netzschalter brauchen.

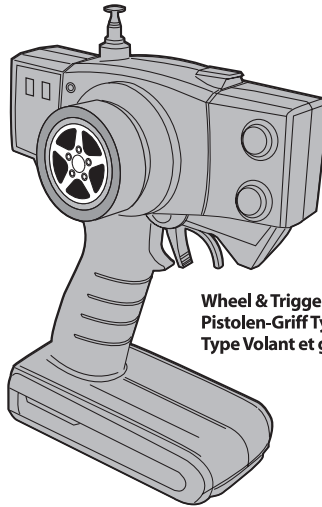
**Ensemble radiocommande**

• Vous aurez besoin d'un système de radio de 2 Chaînes avec un servo, le récepteur, un contrôleur de vitesse électronique avec un interrupteur (on-off).

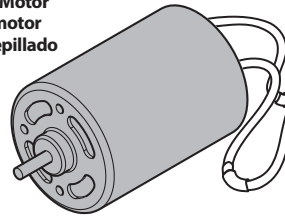
Stick Type  
Steuerknüppel-Typ  
Type manches



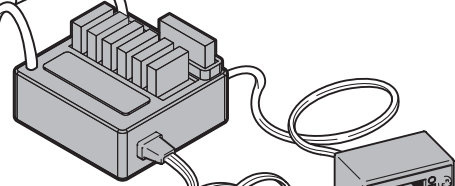
Wheel & Trigger Type  
Pistolen-Griff Typ  
Type Volant et gachette



Brushed Motor  
Bürstenmotor  
Motor Cepillado

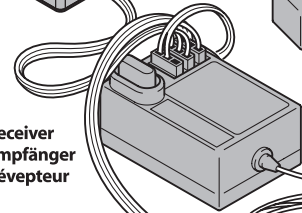


Electronics Speed Control with Dual Motor Capabilities  
Electronics Speed Control  
Elektrischer Fahrtenregler  
Contrôleur de Vitesse électronique

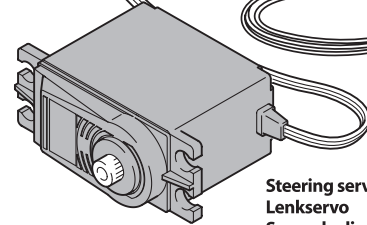


On/Off Switch  
An/Aus-Schalter  
Interrupteur M/A

Receiver  
Empfänger  
Récepteur



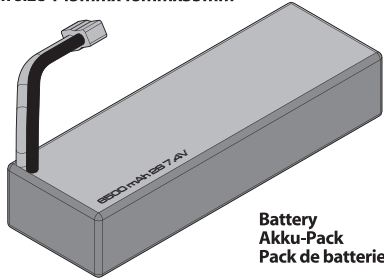
Steering servo  
Lenkservo  
Servo de direction



**Battery / Akku / Batterie**

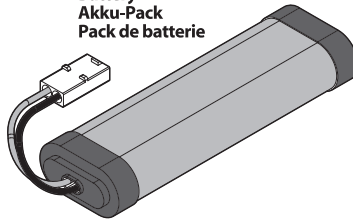
**Battery / Akku / Batterie**

Battery :  
Maximum size 145mmx48mmx35mm

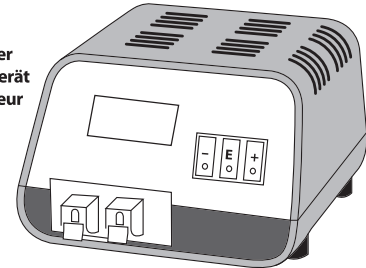


Battery  
Akku-Pack  
Pack de batterie

Battery  
Akku-Pack  
Pack de batterie

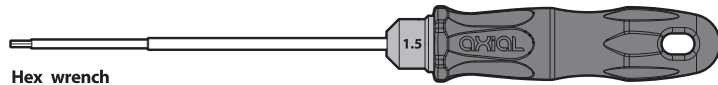


Charger  
Ladegerät  
Chargeur

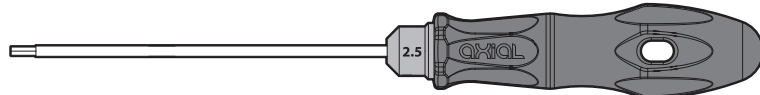
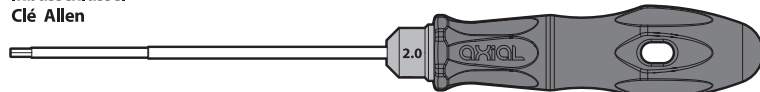


visit [www.maxamps.com](http://www.maxamps.com) for a complete selection of batteries and chargers.

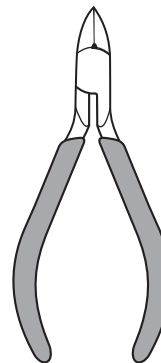
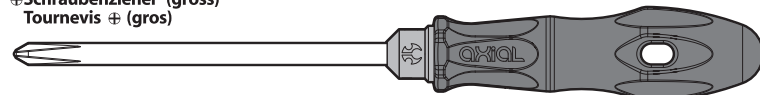
**Tools Recommended / Benötigte Werkzeuge / Outillage**



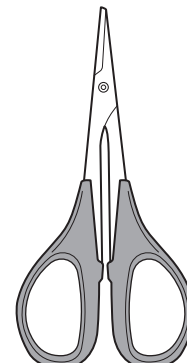
Hex wrench  
Inbusschlüssel  
Clé Allen



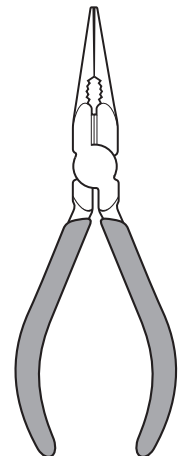
⊕Screwdriver (large)  
⊕Schraubenzieher (gross)  
Tournevis ⊕ (gros)



Side cutter  
Seitenschneider  
Pincès coupantes

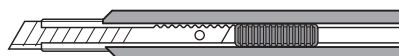


Curved scissors  
Schere  
Ciseaux



Long nose pliers  
Flachzange  
Pincès à becs longs

Modeling knife  
Modelliermesser  
Couteau de modéliste





# GENUINE AXIAL OPTION PARTS



## PARTS FOR ALUMINUM FRONT & REAR 4-LINK UPGRADE



**AX80043**  
SCX10 RTR LINKS PARTS TREE **\$12.50**



**AX80018**  
HARDWARE PARTS TREE **\$5.50**



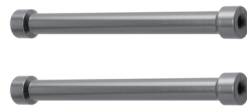
**AX80005**  
LINKAGE SET **\$7**  
(2 SETS \$14)



**AXA186**  
M3x16MM SET SCREW (10PCS) **\$5.50**  
(2 SETS FOR \$11)



**AXA434**  
M3x8MM HEX SOCKET (10PCS) **\$3**



**AXA1429**  
7x60MM POST - GREY (2PCS) **\$8.50**  
(2 SETS \$17)



**AXA1422**  
7x25MM POST - GREY (2PCS) **\$6**



**AXA1424**  
7x35MM POST - GREY (2 PCS) **\$6.50**

## OTHER OPTIONAL PARTS



**AX30494**  
ALUMINUM REAR AXLE LOCKOUT **\$36.50**



**AX30495**  
ALUMINUM C HUB CARRIER **\$42**



**AX30496**  
ALUMINUM KNUCKLE (BLACK) **\$42**



**AX30395**  
H-D BEVEL GEAR SET 38T/13T **\$31.50**

**AX30401**  
H-D BEVEL GEAR SET 36T/14T **\$31.50**

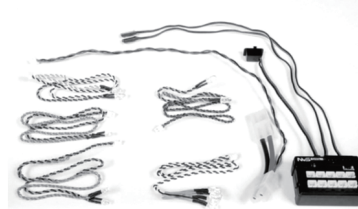
**AX30402**  
H-D BEVEL GEAR SET 43T/13T **\$31.50**



**AX8087**  
1.9 8 HOLE BEADLOCKS (BLACK) **\$19**



**AX8088**  
1.9 8 HOLE BEADLOCKS (CHROME) **\$20**



**AX24251**  
NIGHT VISION SYSTEM **\$120**



**AX24257**  
SIMPLE LED CONTROLLER W/ LED **\$31.50**



**AX30860**  
MACHINED MOTOR PLATE **\$35**



**AX24003**  
20T ELECTRIC MOTOR **\$19**

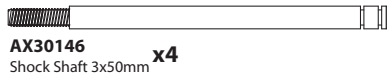


**AX24004**  
27T ELECTRIC MOTOR **\$16**



**AX24007**  
55T ELECTRIC MOTOR **\$19**

Parts Reference / Übersicht aller Teile / Référence des pièces



**AX30146**  
Shock Shaft 3x50mm **x4**



**AX30162**  
Pin 1.5x8mm **x2**



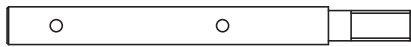
**AX30166**  
Pin 1.5x11mm **x4**



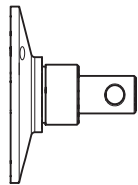
**AX30163**  
Pin 2x10mm **x7**



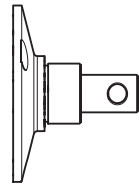
**AX30190**  
Shaft 5x18 **x1**



**AX30198**  
Drive gear Shaft 5x53.5 **x1**



**AX30435**  
Outdrive Shaft **x1**



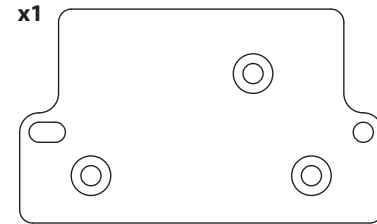
**AX30435**  
Outdrive Shaft **x1**



**AX30408**  
Input Shaft 5x29mm **x2**



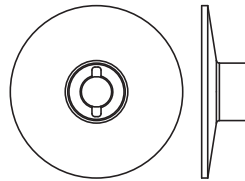
**AX30413**  
Spring 8.5x12 **x1**



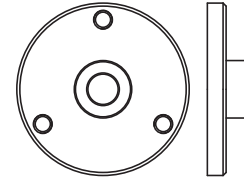
**AX30485**  
AX10 Scorpion Servo Plate **x1**



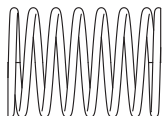
**AX30463**  
Universal joint Axle Pin holder **x4**



**AX30410**  
Inner Slipper Plate **x1**



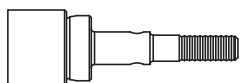
**AX30411**  
Outer Slipper Plate **x1**



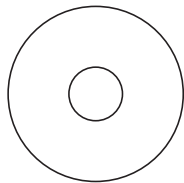
**AX30200**  
Spring 12.5x20mm **x4**



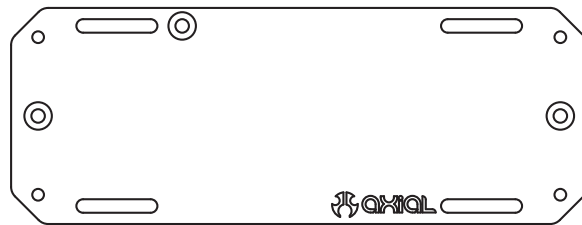
**AX30207**  
Spring 12.5x40mm **x4**



**AX30366**  
Axle 5x35mm **x2**



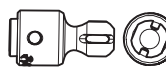
**AX30412**  
Slipper Pad 27x8x1mm **x1**



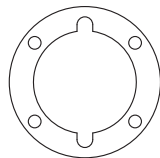
**AX30483**  
AX10 Scorpion Battery Tray **x1**



**AX30784**  
Drive shaft Coupler **x4**



**AX30785**  
Drive shaft Output **x4**



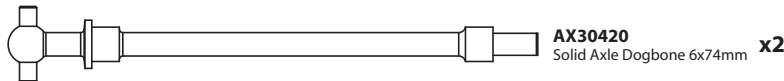
**AX30385**  
Diff Gasket 16x25x0.5mm **x2**



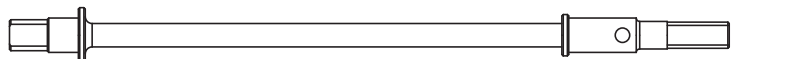
**AX30578**  
Pinion 48DP 20T **x1**



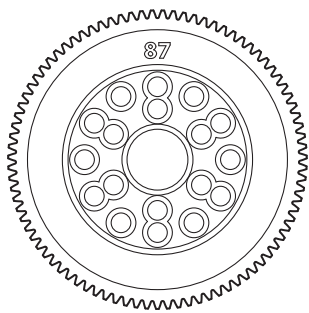
**AX30427**  
12mm Aluminum Hub **x4**



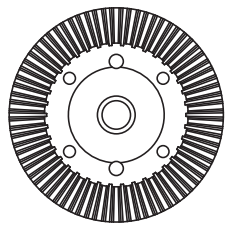
**AX30420**  
Solid Axle Dogbone 6x74mm **x2**



**AX30421**  
Solid Axle Dogbone 6x104.5mm **x2**



**AX30672**  
Spur 48DP 87T **x1**



**AX30392**  
38T Bevel Gear **x2**



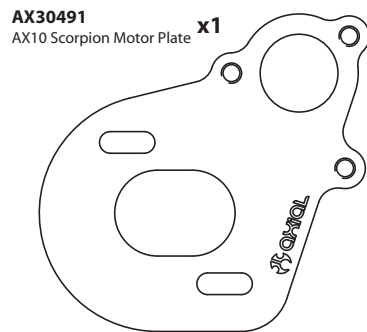
**AX30450**  
Flange Pipe 3x4.5x5.5 **x4**



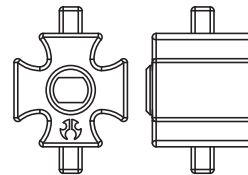
**AX30499**  
5x6.9x4.8 **x1**



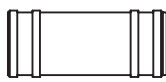
**AX30130**  
Icon Aluminum Shock Body 10x38mm **x4**



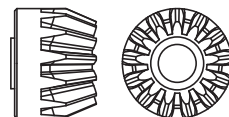
**AX30491**  
AX10 Scorpion Motor Plate **x1**



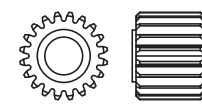
**AX30500**  
Heavy Duty Locker **x2**



**AX30131**  
Icon Aluminum Reservoir **x4**

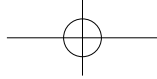


















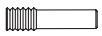































**AX30393**  
13T Bevel Gear **x2**

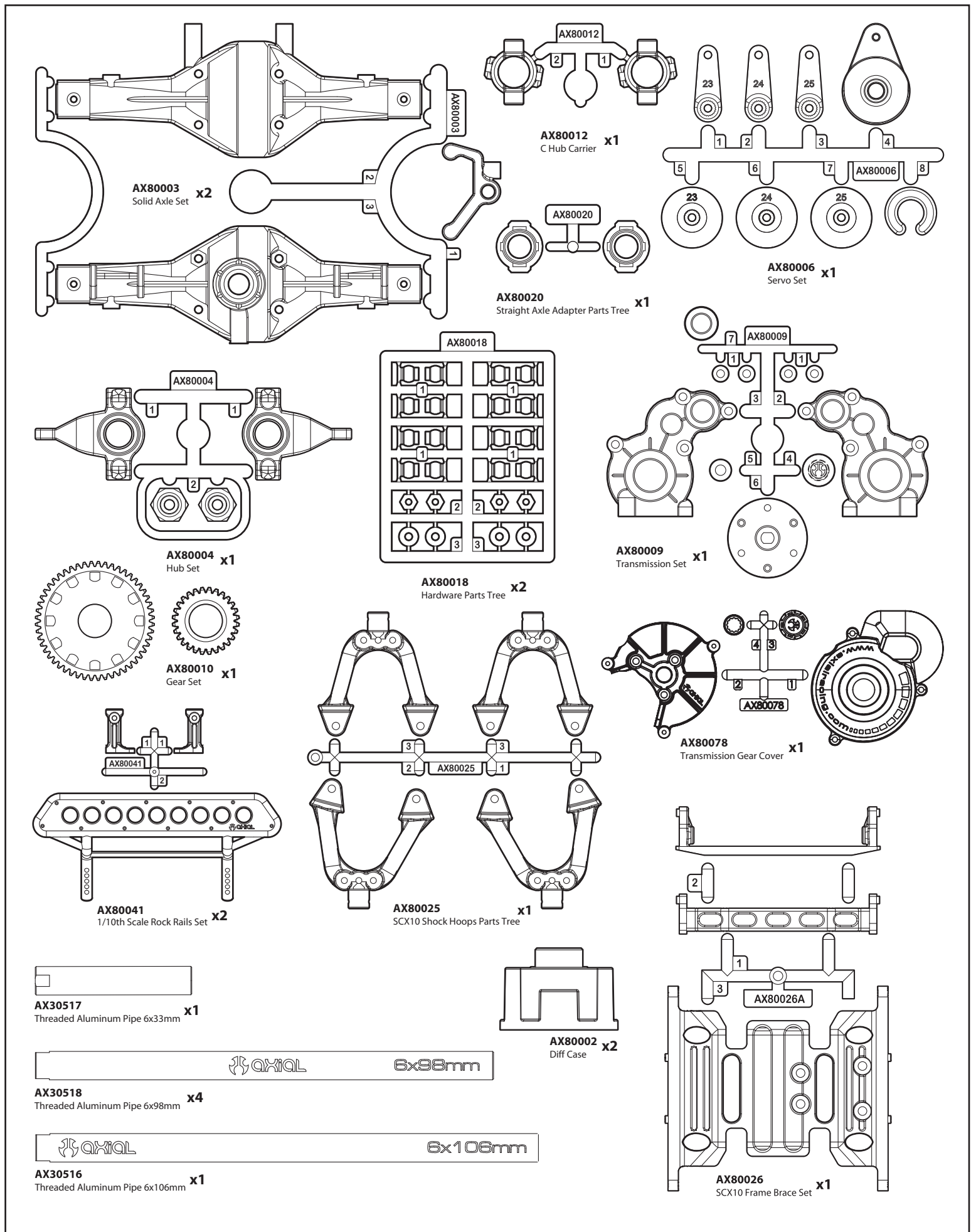
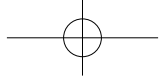


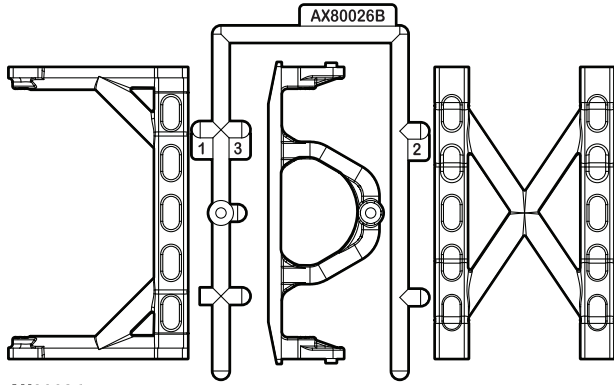
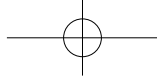
**AX30394**  
20T Drive Gear **x1**

**AX30502**  
SCX10 Chassis Rail **x2**

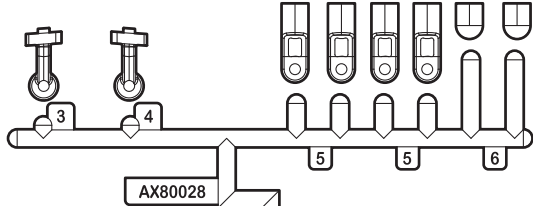


 <b>AXA013</b> M2x6mm	<b>x14</b>	 <b>AXA1230</b> Bearing 10x15x4mm	<b>x6</b>	 <b>AXA0423</b> M2.6x8mm Hex Socket Tapping Button Head	<b>x4</b>
 <b>AXA015</b> M2x10mm	<b>x8</b>	 <b>AXA1358</b> Shock Damper 3x7x8	<b>x4</b>	 <b>AXA0424</b> M2.6x10mm Hex Socket Tapping Button Head	<b>x6</b>
 <b>AXA083</b> M3x6mm	<b>x5</b>	 <b>AXA1392</b> E2 e-clip	<b>x9</b>	 <b>AXA0425</b> M2.6x12mm Hex Socket Tapping Button Head	<b>x2</b>
 <b>AXA085</b> M3x10mm	<b>x4</b>	 <b>AXA1393</b> E2.5 e-clip	<b>x3</b>	 <b>AXA088</b> M3x20mm	<b>x1</b>
 <b>AXA087</b> M3x16mm	<b>x8</b>	 <b>AXA1414</b> 2X6mm gray spacer	<b>x3</b>	 <b>AXA089</b> M3x25mm	<b>x7</b>
 <b>AXA1040</b> M3 Thin Hex Nut	<b>x4</b>	 <b>AXA176</b> M3x2.5x13mm Screw Shaft	<b>x6</b>	 <b>AXA175</b> Screw Shaft M3x2.5x11mm	<b>x4</b>
 <b>AXA1045</b> M4 Nylon Lock Nut	<b>x5</b>	 <b>AXA180</b> M3x3mm Set Screw	<b>x6</b>	 <b>AXA434</b> M3x8mm Hex Socket Tapping Button Head	<b>x6</b>
 <b>AXA1053</b> M3 Nylon Locking Hex Nut	<b>x14</b>	 <b>AXA0109</b> M3x10mm	<b>x4</b>	 <b>AXA435</b> M3x10mm Hex Socket Tapping Button Head	<b>x4</b>
 <b>AXA1059</b> 6mm Body Clip	<b>x10</b>	 <b>AXA0113</b> M3x6mm Hex Socket Button Head	<b>x9</b>	 <b>AXA436</b> M3x12mm Hex Socket Tapping Button Head	<b>x8</b>
 <b>AXA1179</b> O-Ring 2.5x1.5mm	<b>x8</b>	 <b>AXA0114</b> M3x8mm Hex Socket Button Head	<b>x2</b>	 <b>AXA438</b> M3x18mm Hex Socket Tapping Button Head	<b>x10</b>
 <b>AXA1070</b> Washer 3x6x0.5mm	<b>x6</b>	 <b>AXA117</b> M3x15mm Hex Socket Button Head	<b>x2</b>	 <b>AXA0414</b> M2.6x10mm Hex Socket Tapping Flat Head	<b>x3</b>
 <b>AXA1071</b> Washer 4x8x0.5mm	<b>x1</b>	 <b>AXA119</b> M3x20mm Hex Socket Button Head	<b>x4</b>	 <b>AXA463</b> M3x6mm Hex Socket Tapping Flat Head	<b>x3</b>
 <b>AXA1091</b> Washer 5x10x0.5mm	<b>x1</b>	 <b>AXA120</b> M3x25mm Hex Socket Button Head	<b>x1</b>	 <b>AXA464</b> M3x8mm Hex Socket Tapping Flat Head	<b>x14</b>
 <b>AXA1163</b> O-Ring 7x1mm	<b>x4</b>	 <b>AXA121</b> M3x30mm Hex Socket Button Head	<b>x2</b>	 <b>AXA465</b> M3x10mm Hex Socket Tapping Flat Head	<b>x3</b>
 <b>AXA1218</b> Bearing 5x10x4mm	<b>x4</b>	 <b>AXA144</b> M3x8mm Hex Socket Flat Head	<b>x4</b>	 <b>AXA471</b> M3x30mm Hex Socket Tapping Flat Head	<b>x3</b>
 <b>AXA1221</b> Bearing 5x11x4mm	<b>x10</b>	 <b>AXA186</b> M3x16mm Set Screw	<b>x12</b>		
 <b>AXA1225</b> Bearing 8x16x5mm	<b>x2</b>				

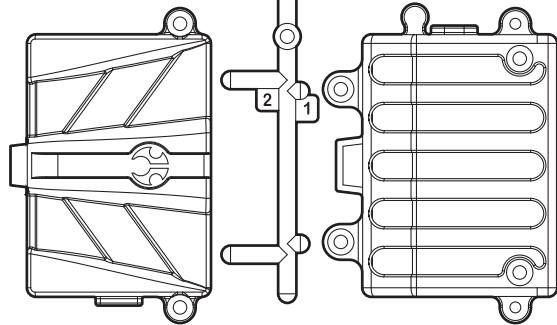




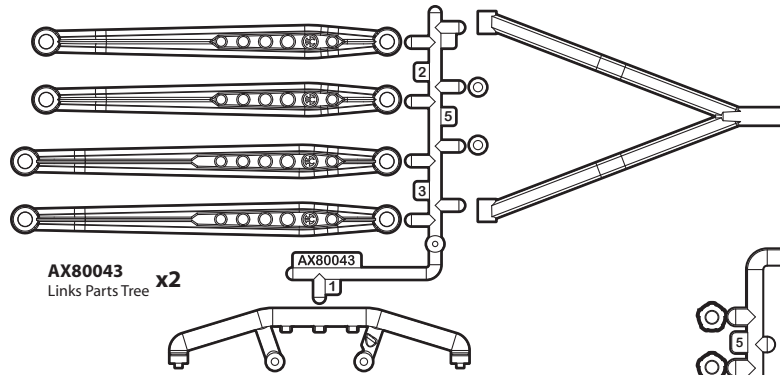
**AX80026**  
SCX10 Frame Brace Set **x1**



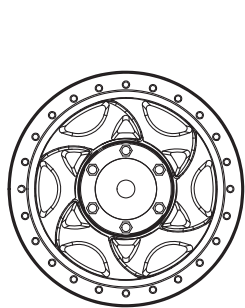
**AX80028**  
SCX10 Radio Box Parts Tree **x1**



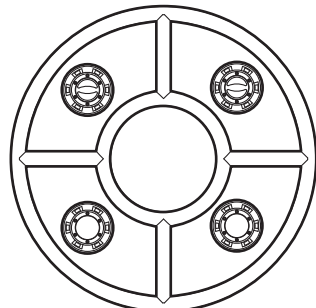
**AX80028**  
SCX10 Radio Box Parts Tree **x1**



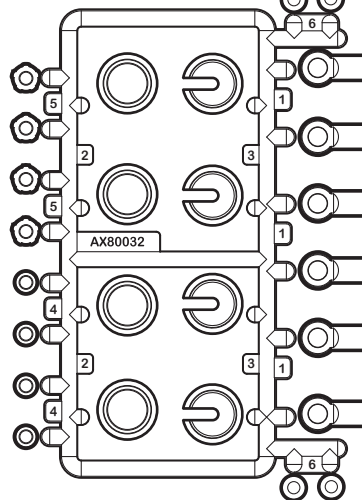
**AX80043**  
Links Parts Tree **x2**



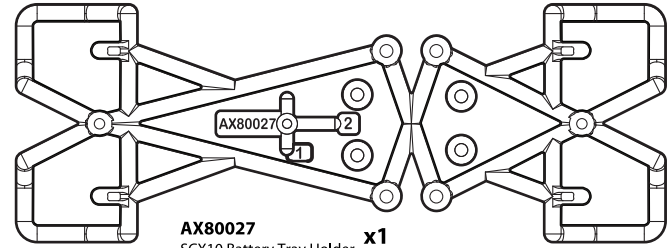
**AX08138**  
1.9 Walker Evans Wheels - Black **x4**



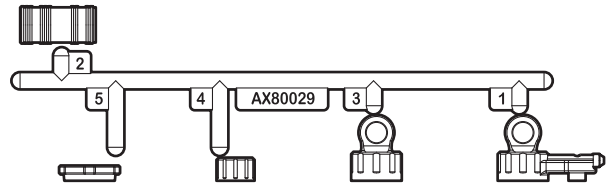
**AX8079**  
Wheel Cap **x1**



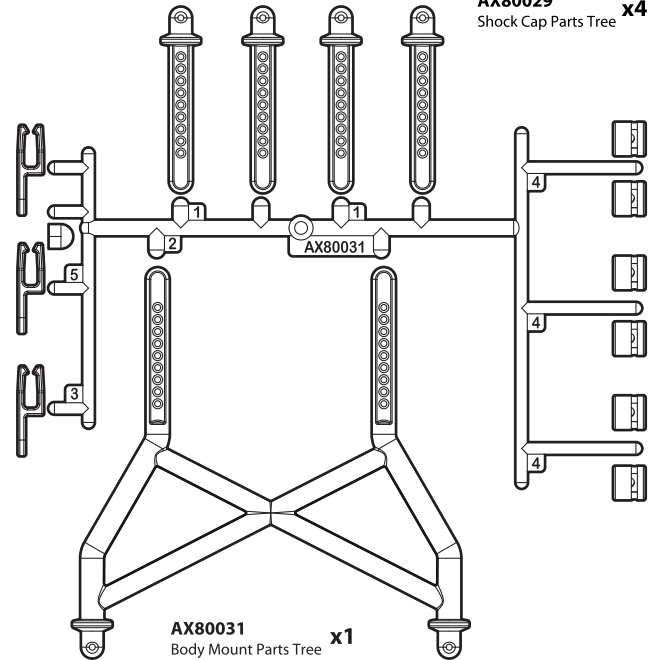
**AX80032**  
Shock Parts **x1**



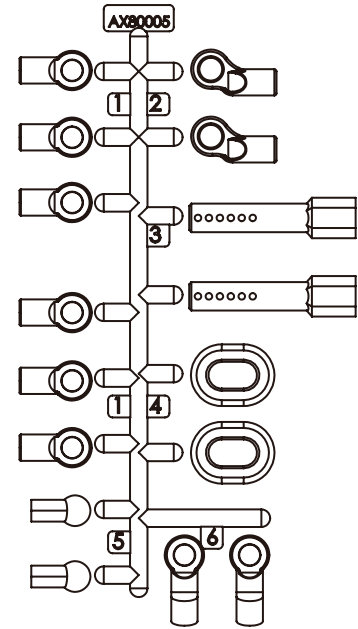
**AX80027**  
SCX10 Battery Tray Holder **x1**



**AX80029**  
Shock Cap Parts Tree **x4**

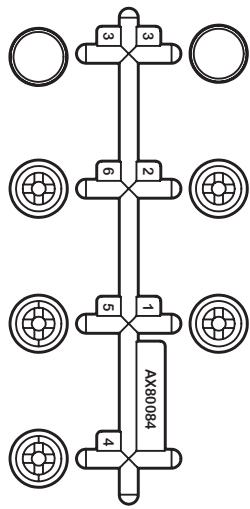
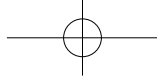


**AX80031**  
Body Mount Parts Tree **x1**

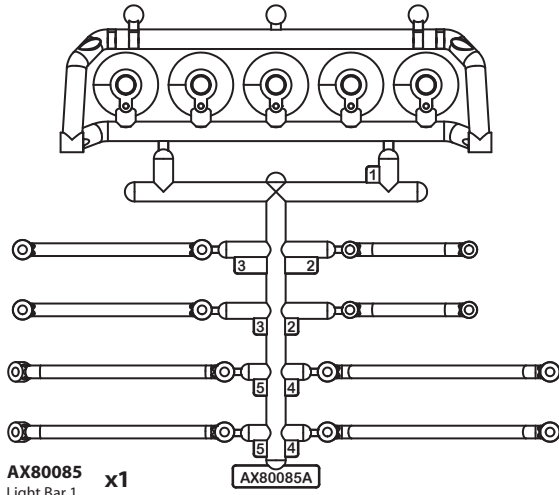


**AX80005**  
Linkage Set **x2**

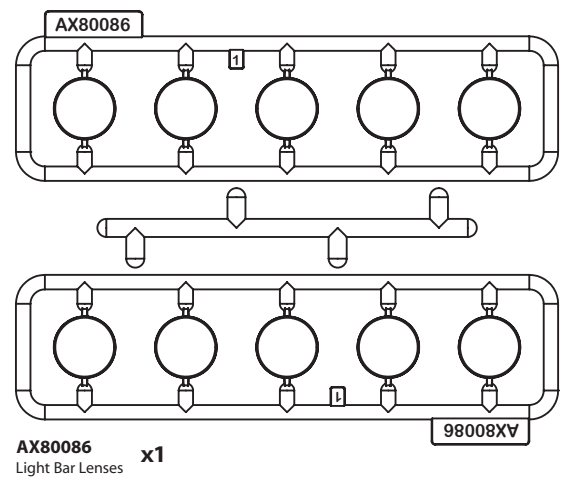




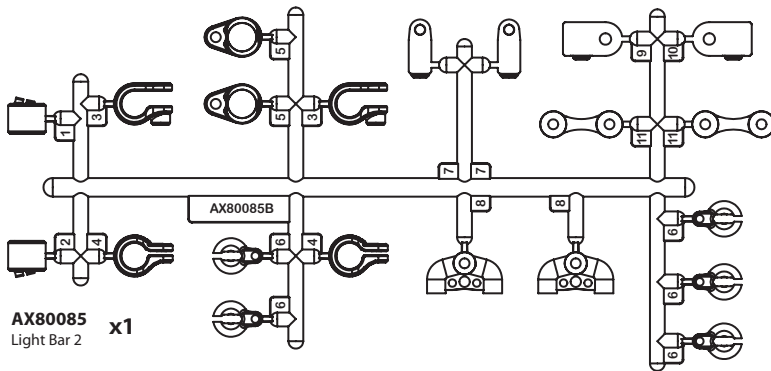
**AX80084**  
UV Joint Driveshafts **x2**



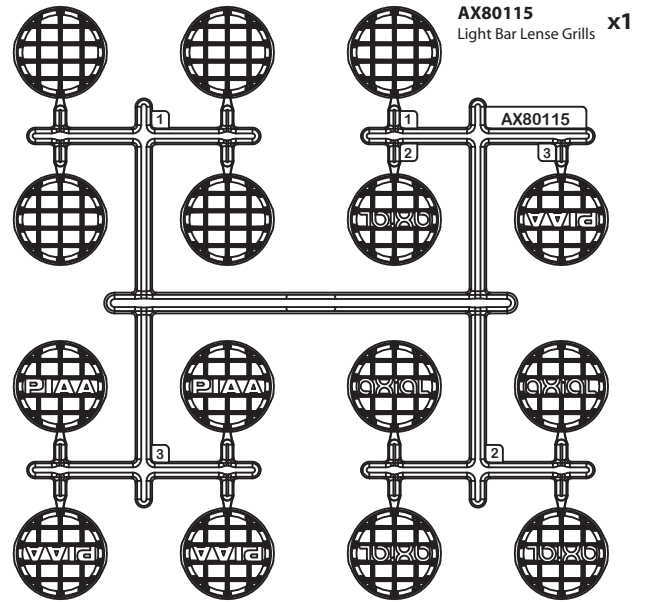
**AX80085**  
Light Bar 1 **x1**



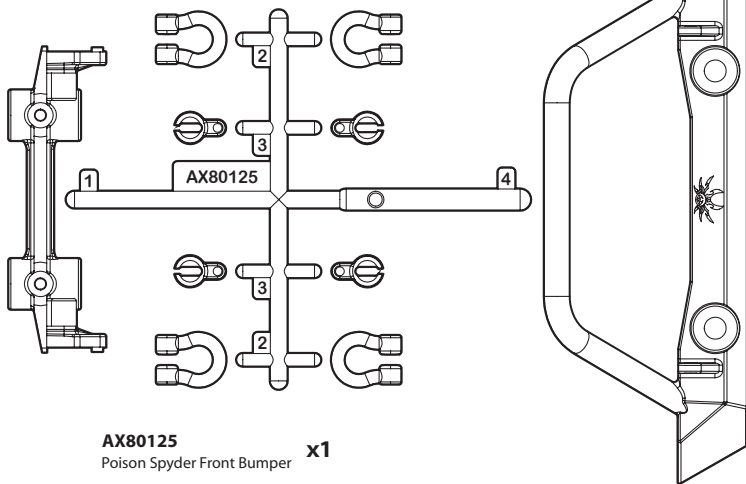
**AX80086**  
Light Bar Lenses **x1**



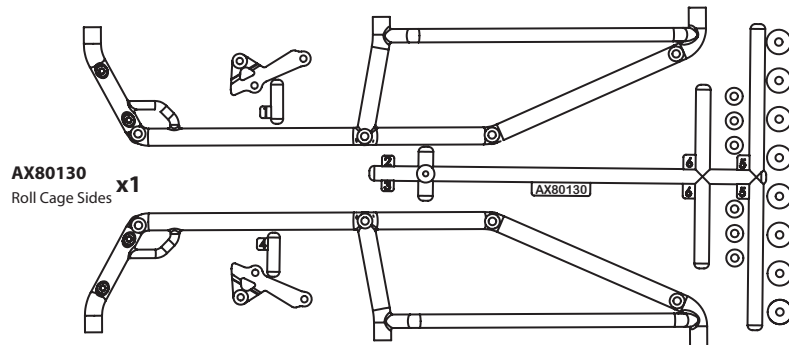
**AX80085**  
Light Bar 2 **x1**



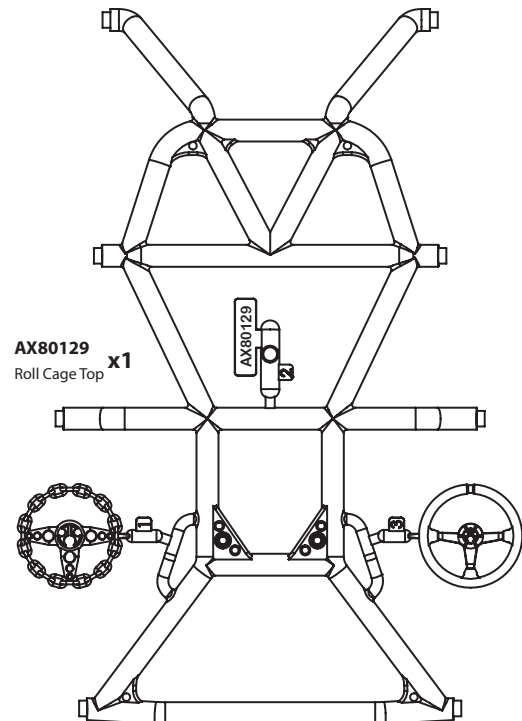
**AX80115**  
Light Bar Lens Grills **x1**



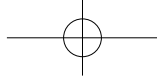
**AX80125**  
Poison Spyder Front Bumper **x1**



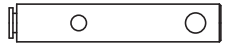
**AX80130**  
Roll Cage Sides **x1**



**AX80129**  
Roll Cage Top **x1**



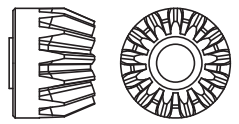
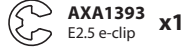
# A Open Bag A



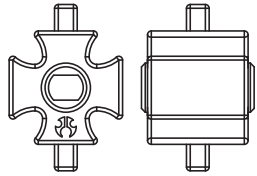
**AX30408**  
Input Shaft 5x28mm **x1**



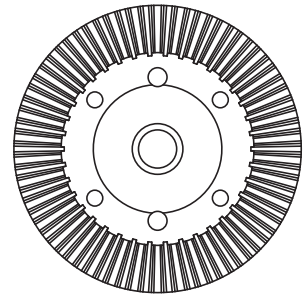
**AX30163**  
Pin 2x10mm **x1**



**AX30393**  
13T Bevel Gear **x1**



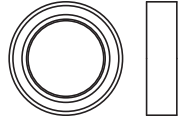
**AX30500**  
Heavy Duty Lovker **x1**



**AX30392**  
38T Bevel Gear **x1**



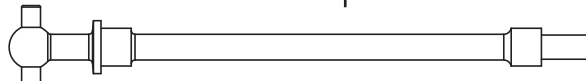
**AXA015**  
M2x10mm **x4**



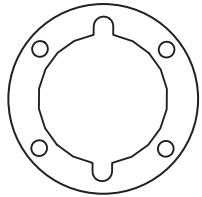
**AXA1230**  
Bearing 10x15x4mm **x2**



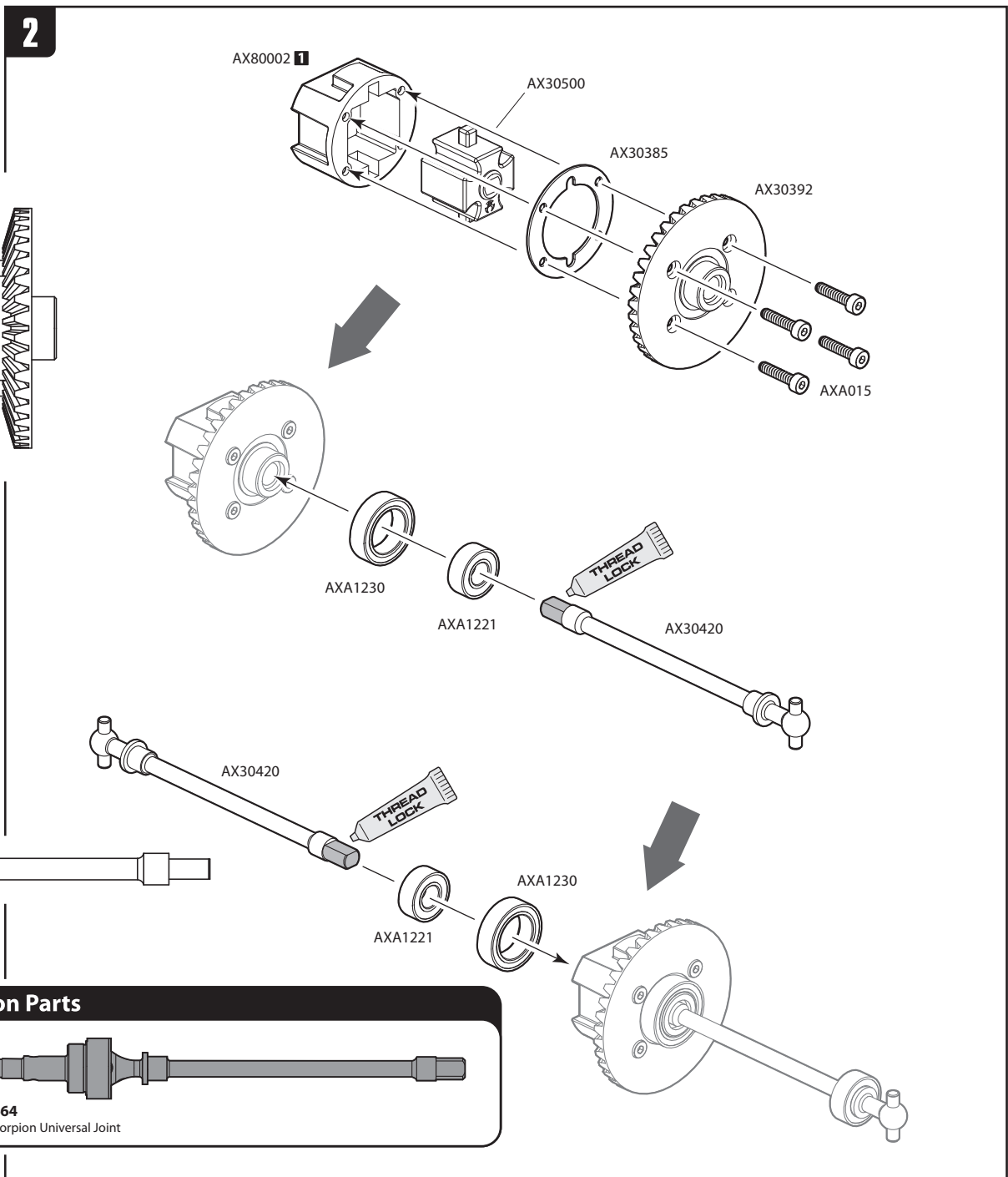
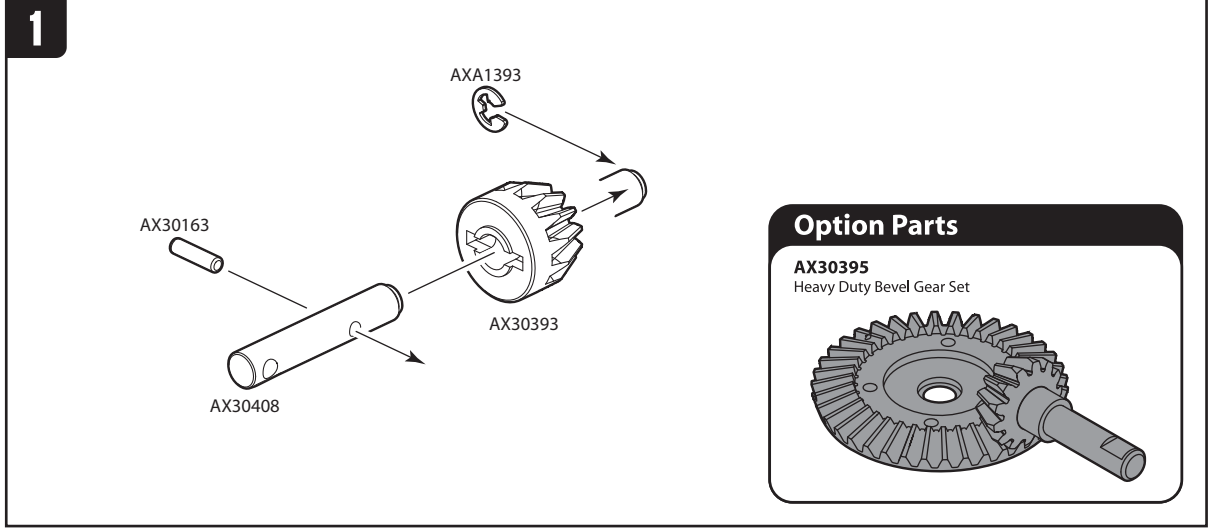
**AXA1221**  
Bearing 5x11x4mm **x2**



**AX30420**  
Solid Axle Dogbone 6x74mm **x2**



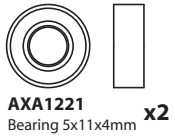
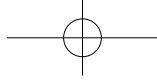
**AX30385**  
Diff Gasket 16x25x0.5mm **x1**



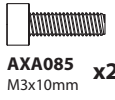
### Option Parts

**AX30464**  
AX10 Scorpion Universal Joint

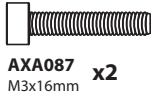




**AXA1221**  
Bearing 5x11x4mm x2



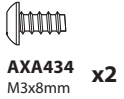
**AXA085**  
M3x10mm x2



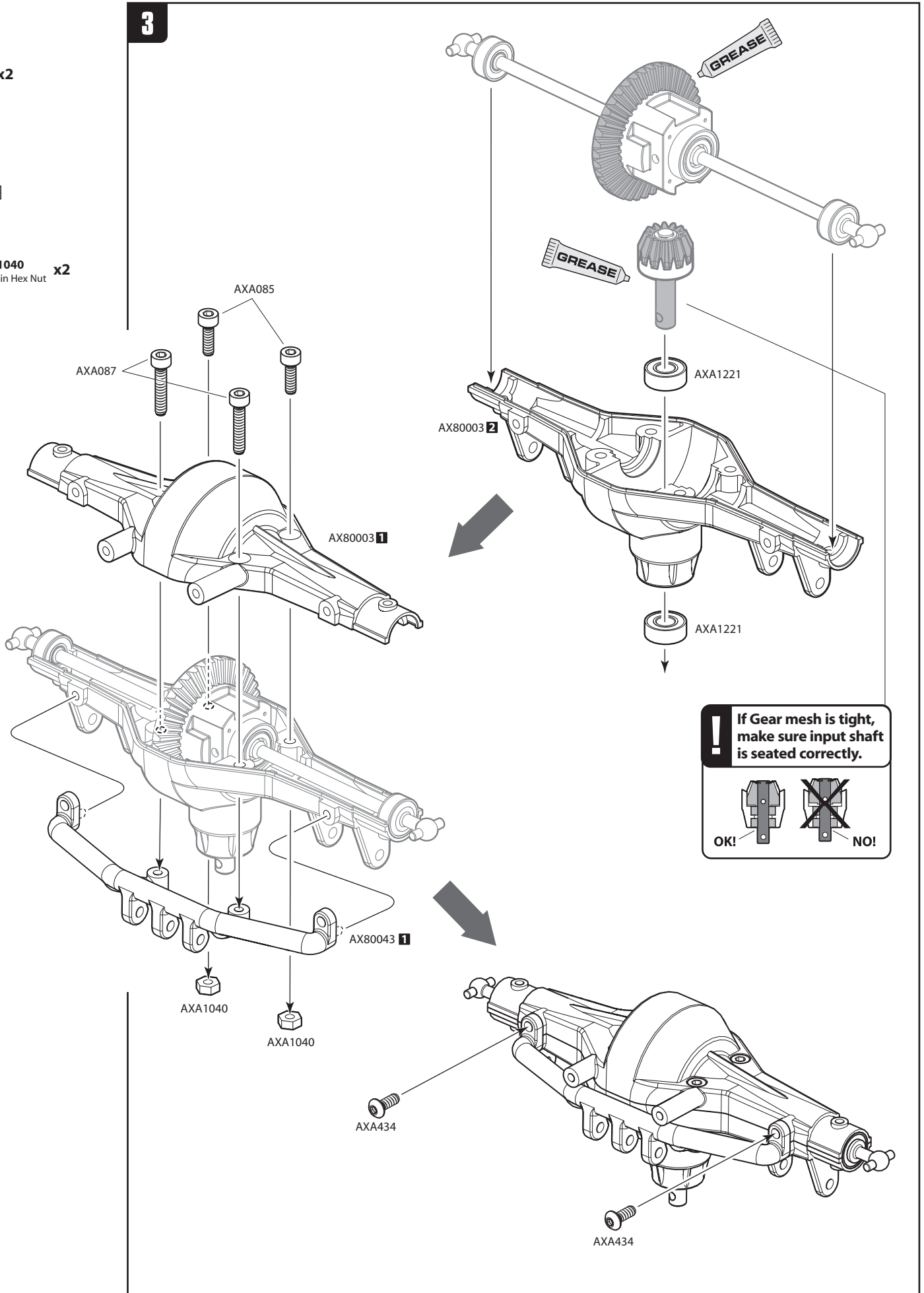
**AXA087**  
M3x16mm x2

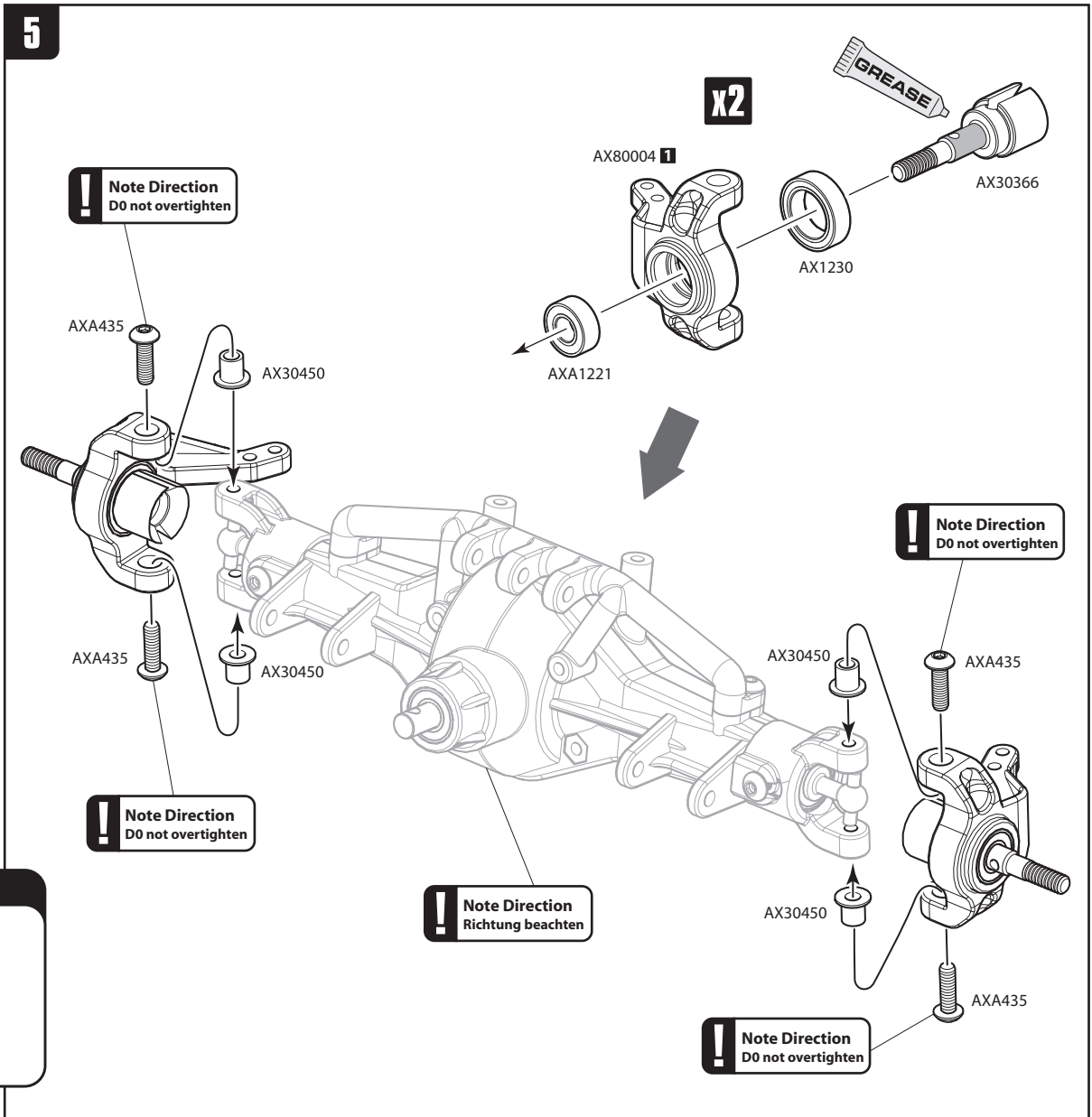
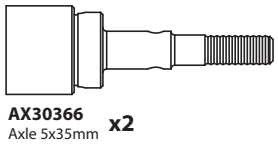
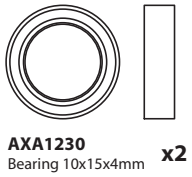
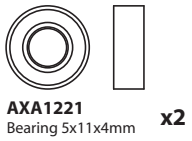
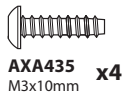
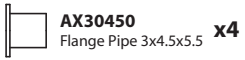
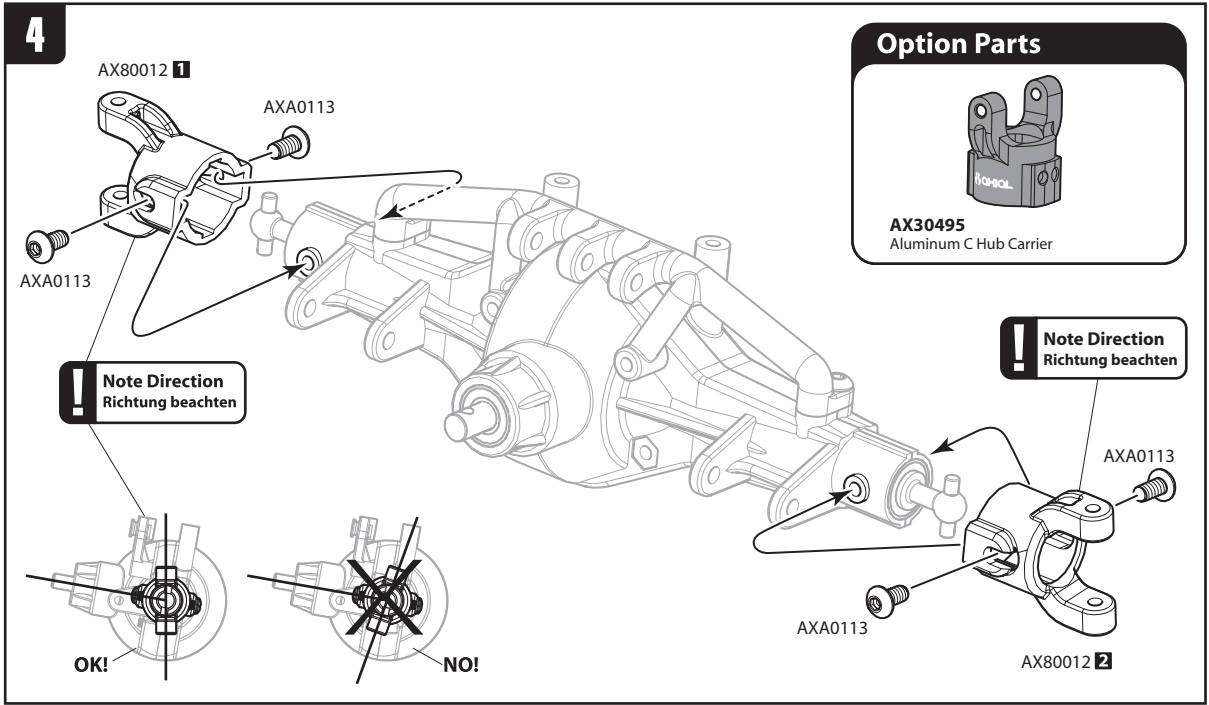


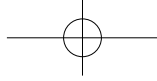
**AXA1040**  
M3 Thin Hex Nut x2



**AXA434**  
M3x8mm x2







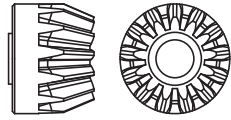
**AX30408**  
Input Shaft 5x28mm **x1**



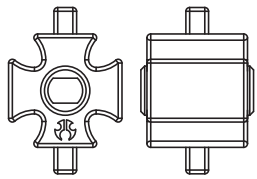
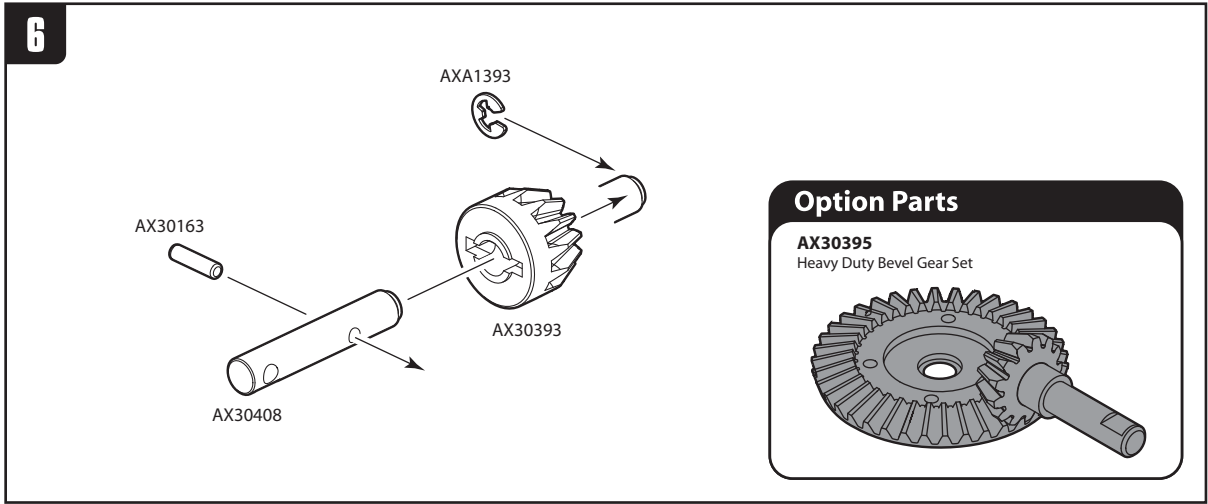
**AX30163**  
IPin 2x10mm **x1**



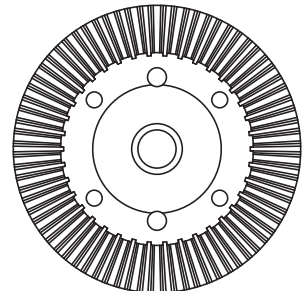
**AXA1393**  
E2.5 e-clip **x1**



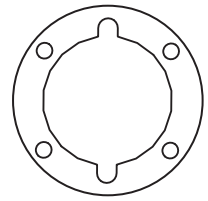
**AX30393**  
13T Bevel Gear **x1**



**AX30500**  
Heavy Duty Lovker **x1**



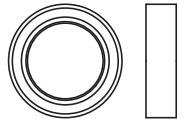
**AX30392**  
38T Bevel Gear **x1**



**AX30385**  
Diff Gasket 16x25x0.5mm **x1**



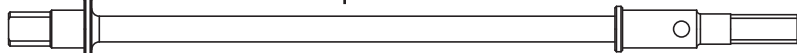
**AXA015**  
M2x10mm **x4**



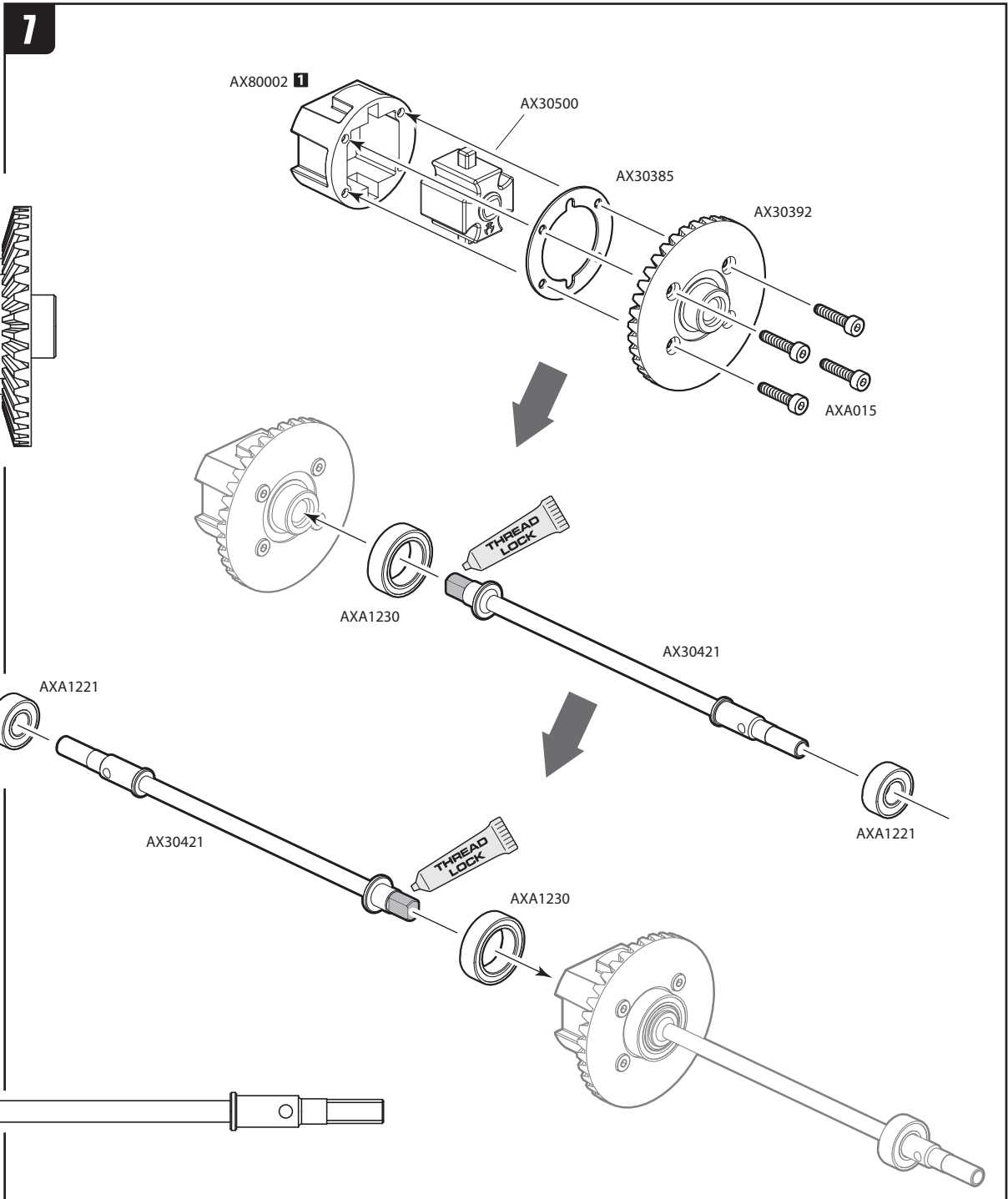
**AXA1230**  
Bearing 10x15x4mm **x2**

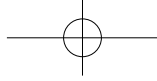


**AXA1221**  
Bearing 5x11x4mm **x2**



**AX30421**  
Solid Axle Dogbone 6x104.5mm **x2**





**AXA1221**  
Bearing 5x11x4mm x2



**AXA085**  
M3x10mm x2



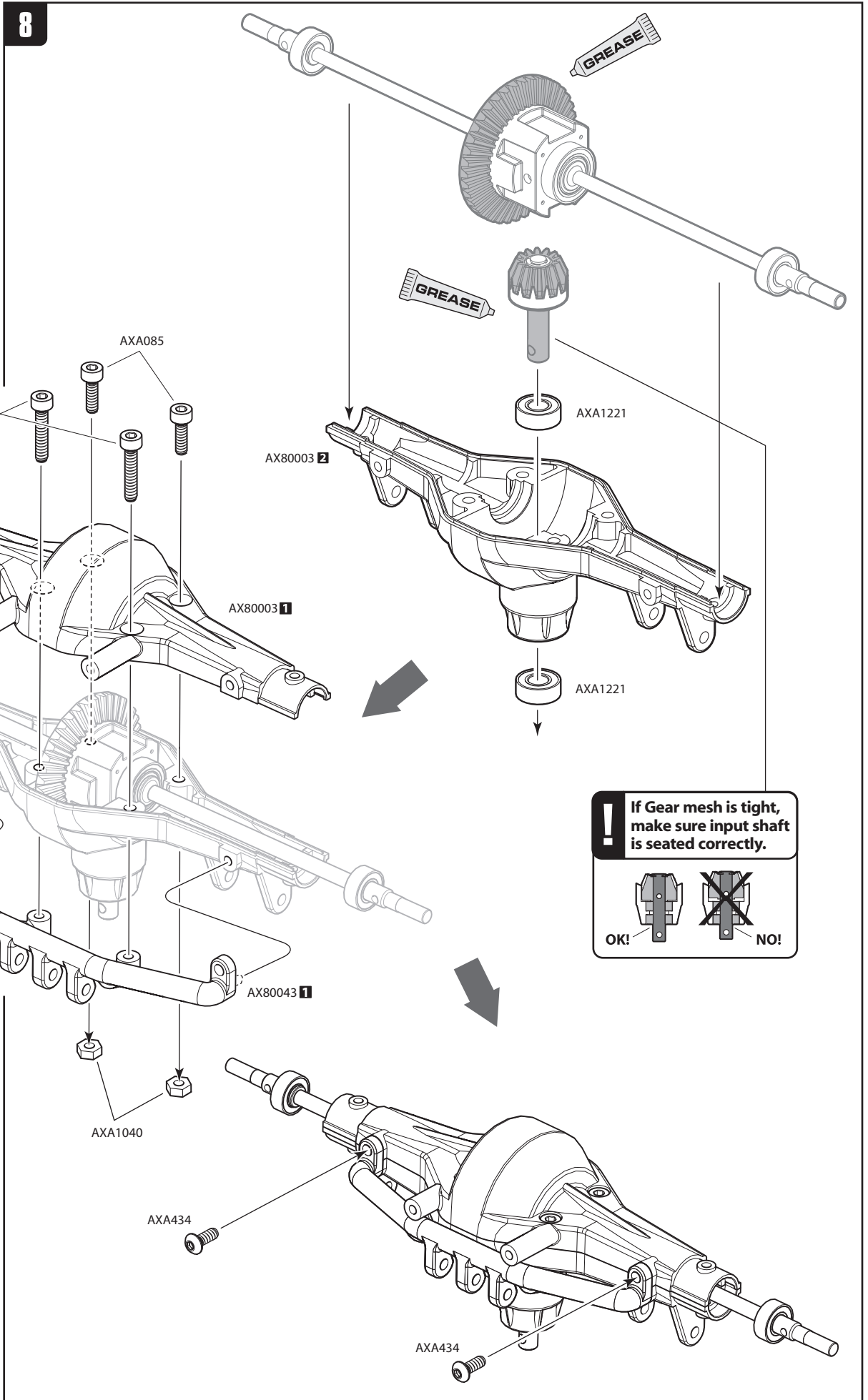
**AXA087**  
M3x16mm x2



**AXA434**  
M3x8mm x2

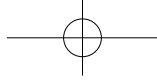


**AXA1040**  
M3 Thin Hex Nut x2

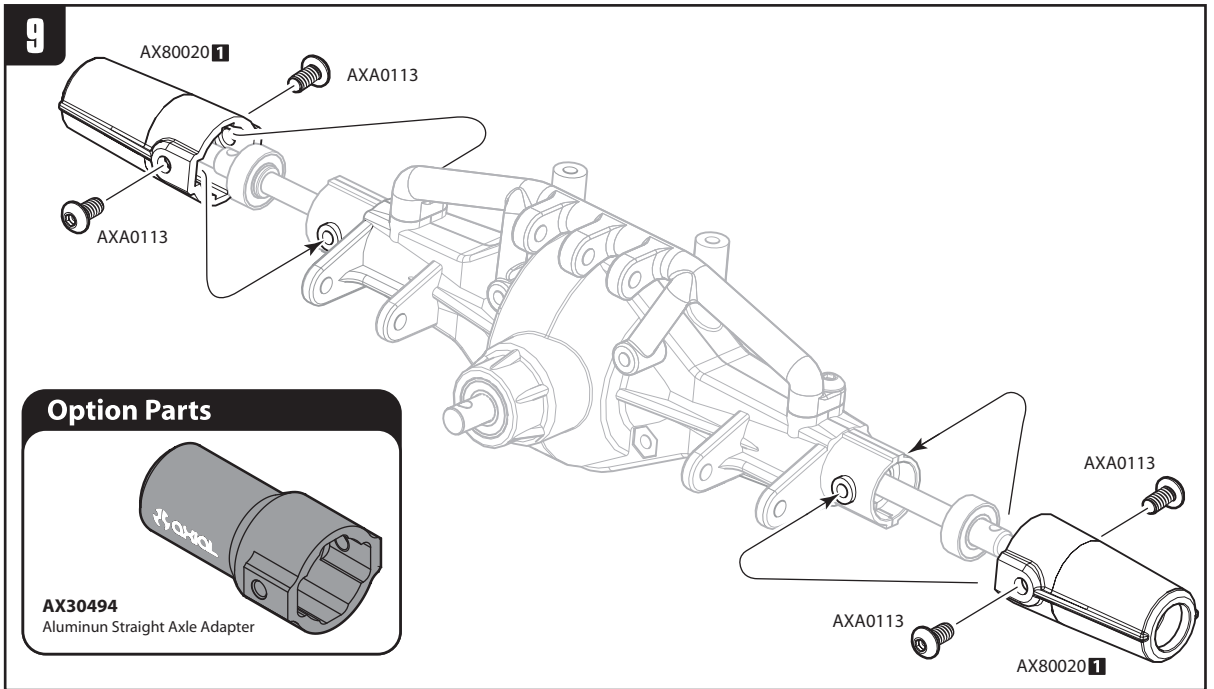


**!** If Gear mesh is tight, make sure input shaft is seated correctly.

OK! NO!



**AXA0113**  
M3x6mm Hex Socket Button Head **x4**



**B** Open Bag B



**AX30463**  
Universal joint Axle Pin holder **x4**



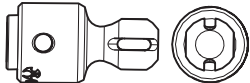
**AX30166**  
Pin 1.5x1mm **x4**



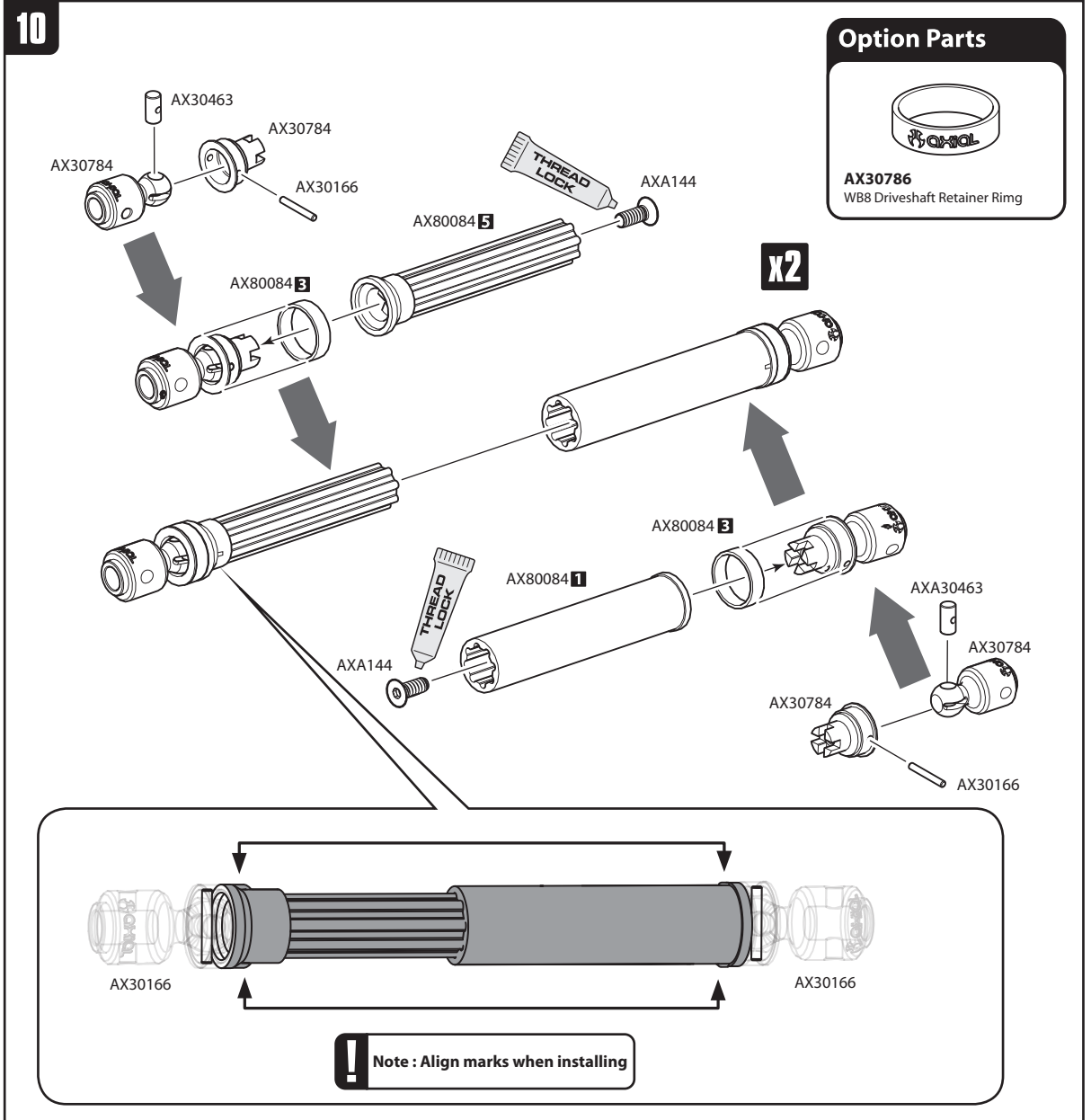
**AXA144**  
M3x8mm **x4**

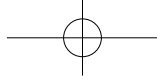


**AX30784**  
Drive shaft Coupler **x4**

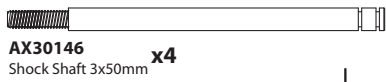
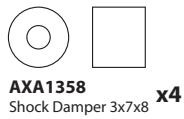


**AX30784**  
Drive shaft Output **x4**



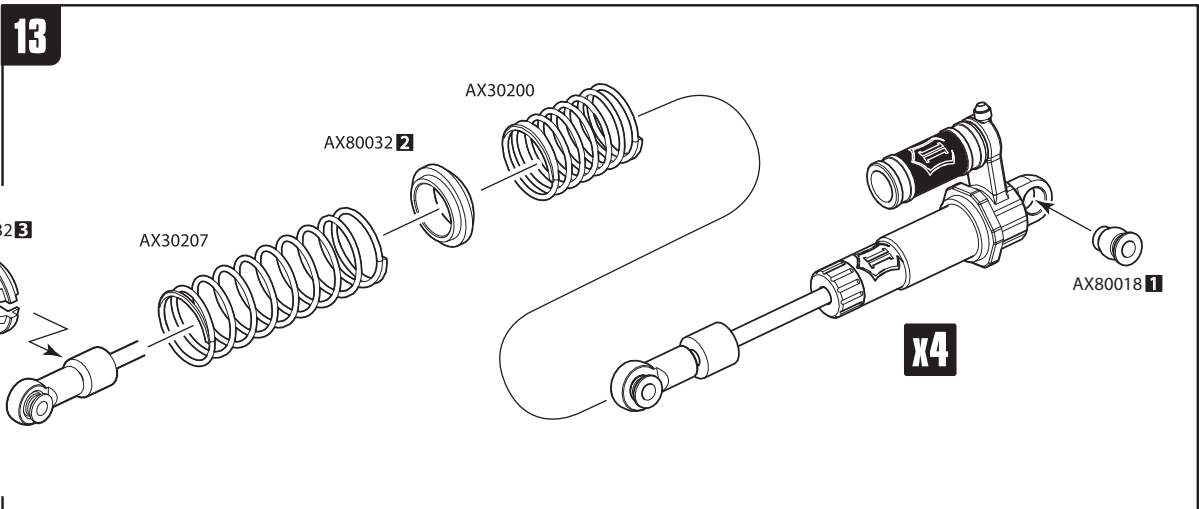
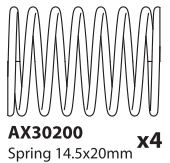
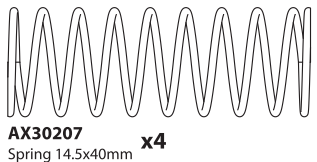
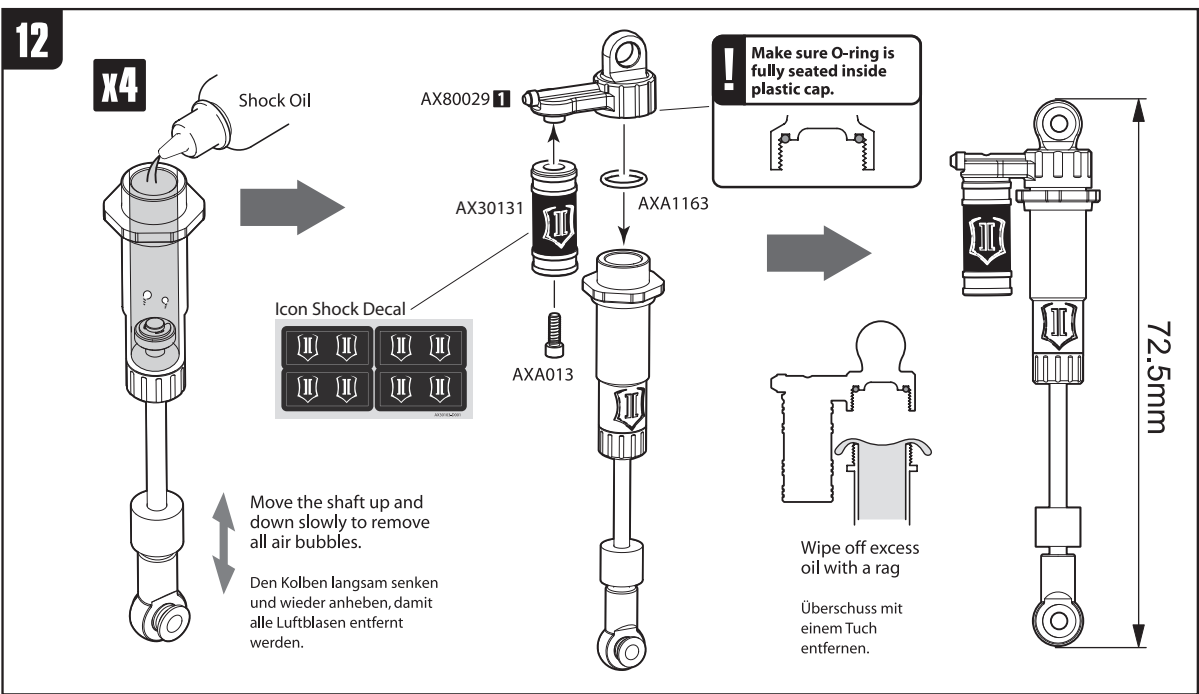
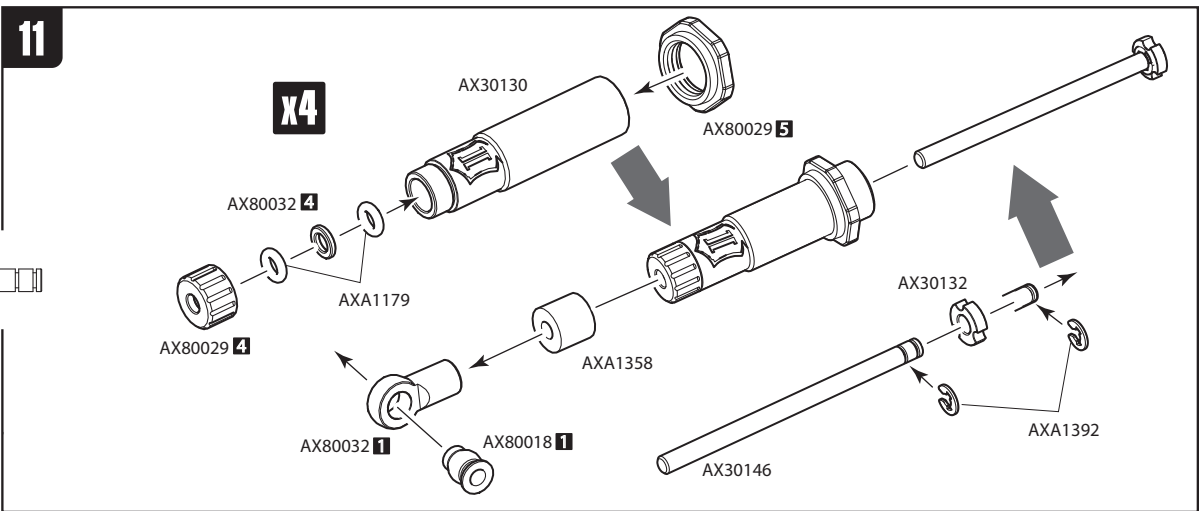
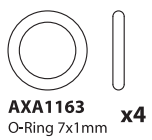


- AXA1392 x8**  
E2 e-clip
- AXA1179 x8**  
O-Ring 2.5x1.5mm



**Option Parts**

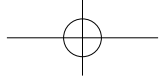
**AX30115**  
10mm Aluminum Preload Collar



**Option Parts**

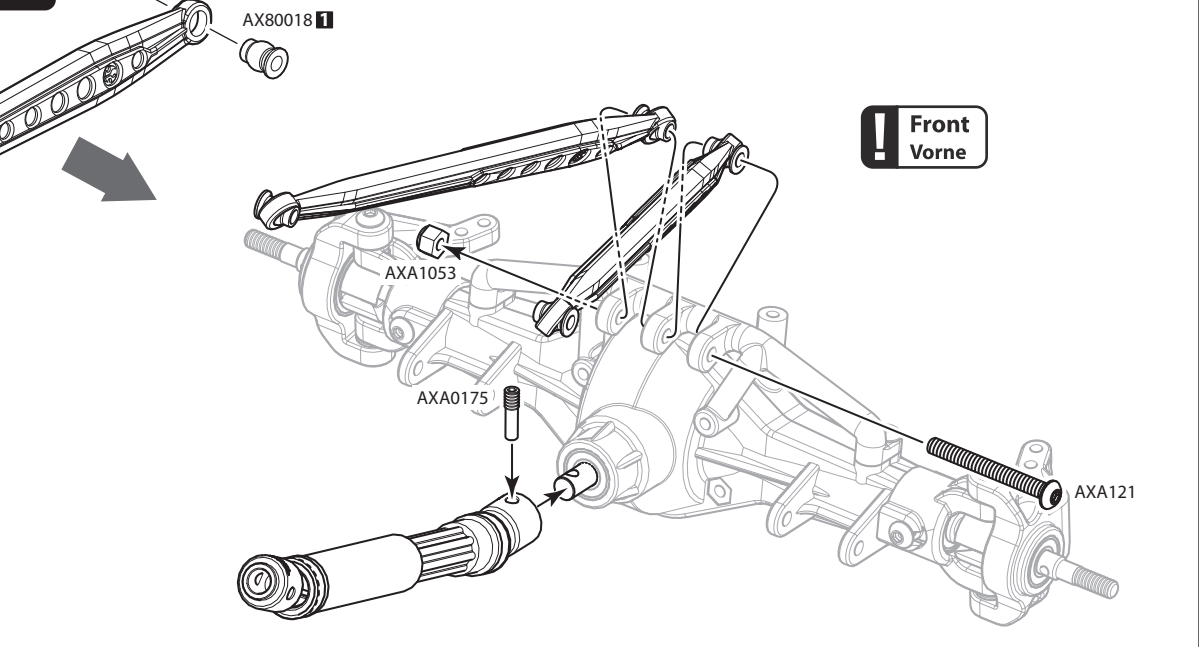
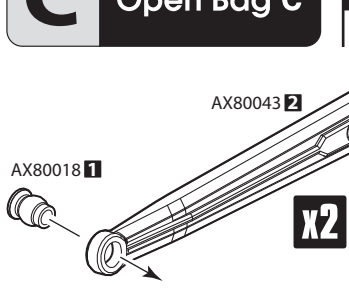
Spring	Spring
AX30200 12.5x20mm 3.6 lbs/in - Super Soft (Red)	AX30205 12.5x40mm 2.7 lbs/in - Super Soft (Red)
AX30201 12.5x20mm 4.32 lbs/in - Soft (White)	AX30206 12.5x40mm 3.6 lbs/in - Soft (White)
AX30202 12.5x20mm 5.44 lbs/in - Medium (Green)	AX30207 12.5x40mm 4.08 lbs/in - Medium (Green)
AX30203 12.5x20mm 6.53 lbs/in - Firm (Yellow)	AX30208 12.5x40mm 5.44 lbs/in - Firm (Yellow)
AX30204 12.5x20mm 7.95 lbs/in - Super Firm (Blue)	AX30209 12.5x40mm 6.81 lbs/in - Super Firm (Blue)








**C** Open Bag C

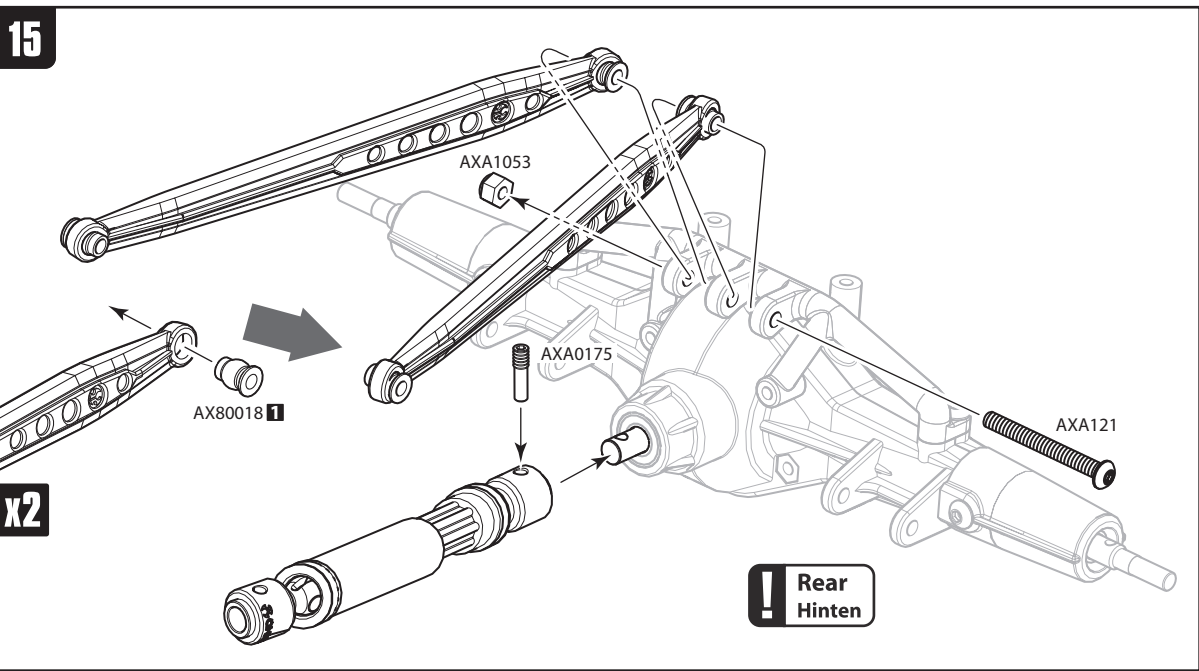
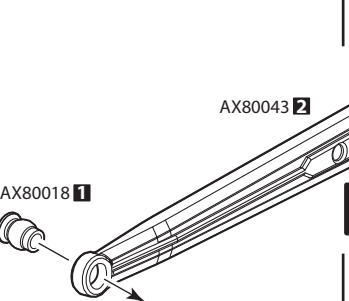
**14**



-  **AXA0175** x1  
Screw Shaft M3x2.5x11mm
-  **AXA121** x1  
M3x30mm Hex Socket Button Head
-  **AXA1053** x1  
M3 Nylon Locking Hex Nut

-  **AXA0175** x1  
Screw Shaft M3x2.5x11mm
-  **AXA121** x1  
M3x30mm Hex Socket Button Head
-  **AXA1053** x1  
M3 Nylon Locking Hex Nut

**15**





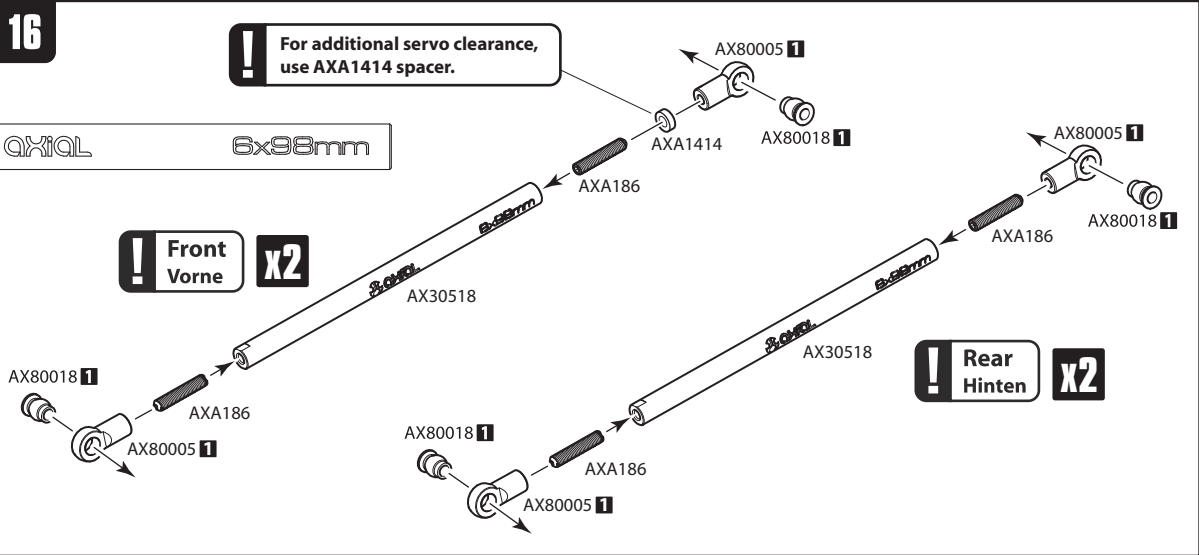
-  **AXA1414** x2  
2x6mm Gray Spacer

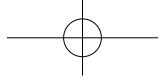
**16**

**!** For additional servo clearance, use AXA1414 spacer.



-  **AX30518** x4  
6x98mm
-  **AXA186** x8  
3x16mm Set Screw



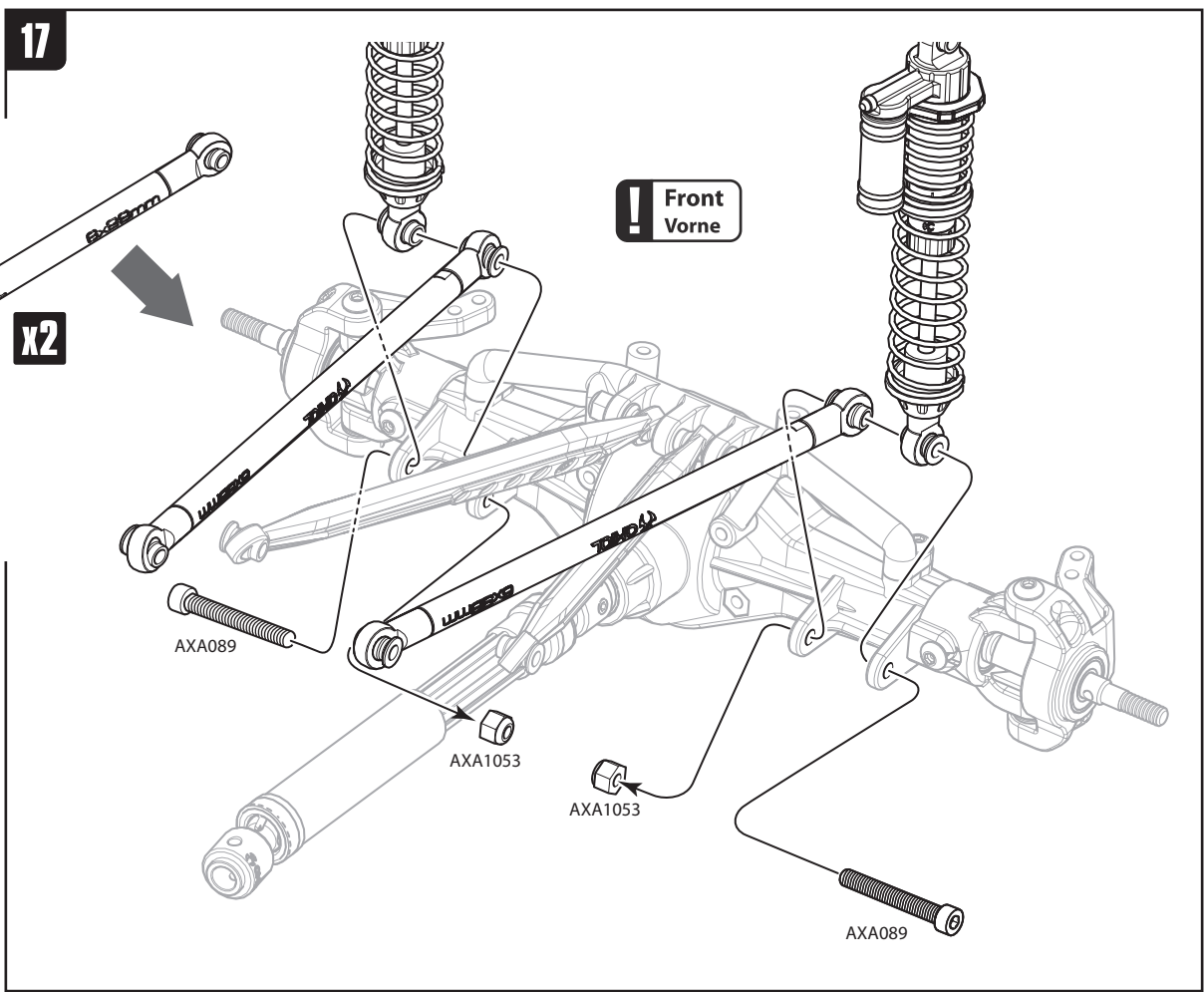


**AXA089** x2  
M3x25mm



**AXA1053** x2  
M3 Nylon Locking Hex Nut

**17**

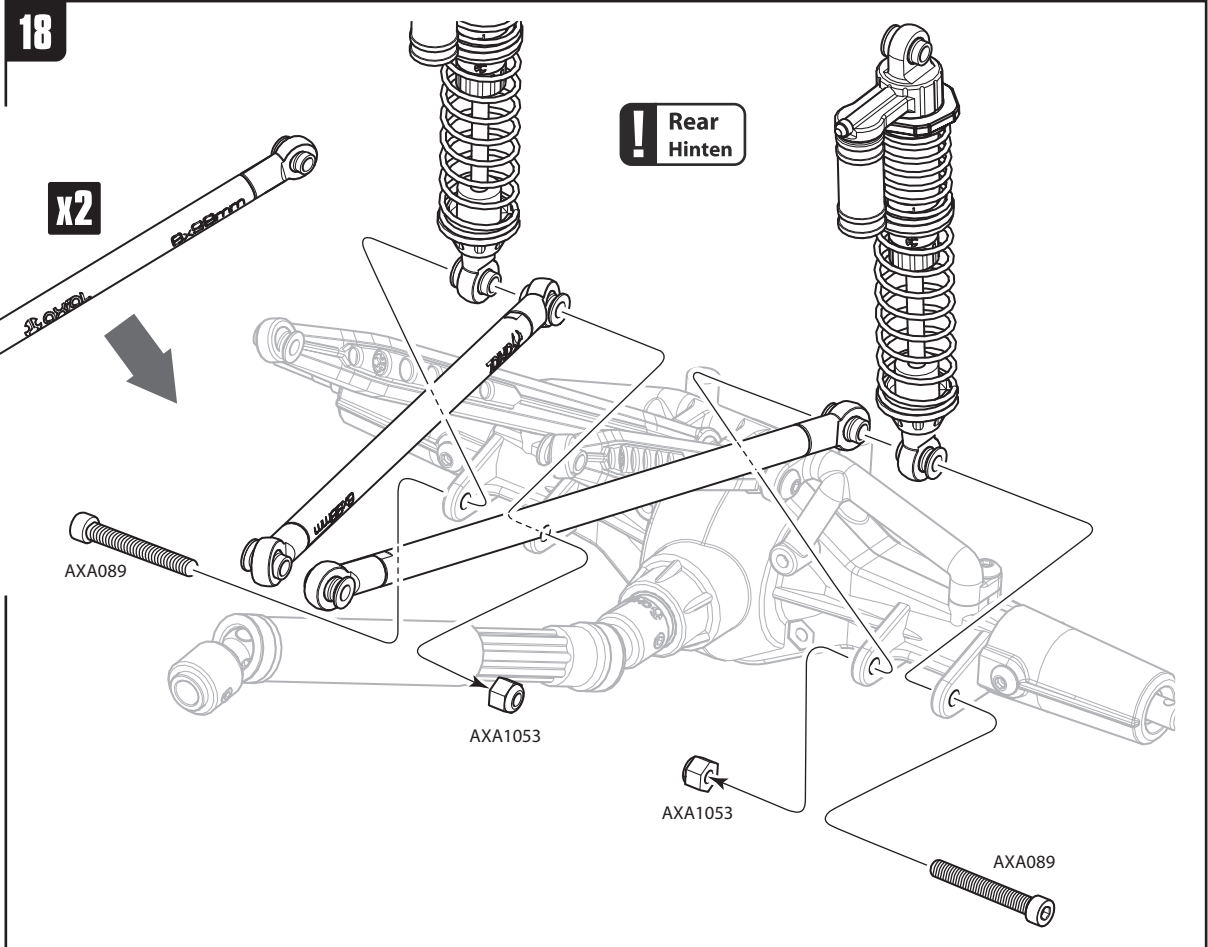


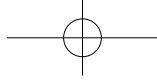
**AXA089** x2  
M3x25mm



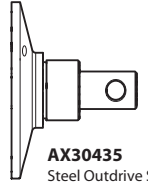
**AXA1053** x2  
M3 Nylon Locking Hex Nut

**18**

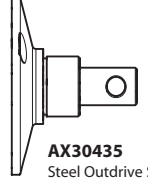




**D** Open Bag D



**AX30435**  
Steel Outdrive Shaft **x1**



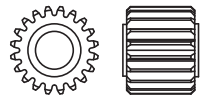
**AX30435**  
Steel Outdrive Shaft **x1**



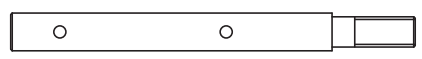
**AXA013**  
M2x6mm **x3**



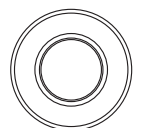
**AX30162**  
Pin 1.5x8mm **x1**



**AX30394**  
20T Drive Gear **x1**



**AX30198**  
Drive gear Shaft 5x53.5 **x1**



**AXA1225**  
Bearing 8x16x5mm **x2**



**AXA1218**  
Bearing 5x10x4mm **x4**



**AX30190**  
Shaft 5x18mm **x1**



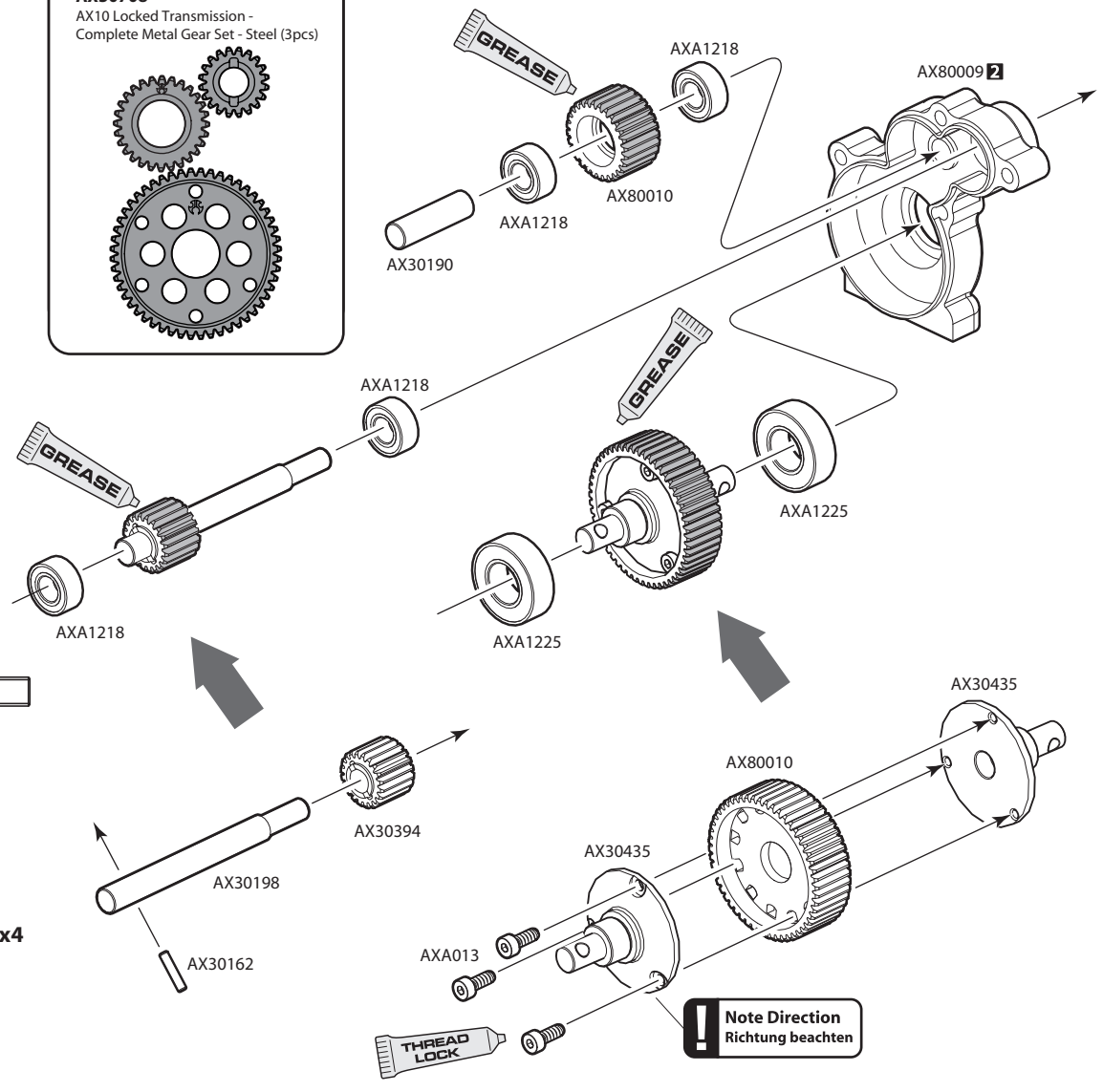
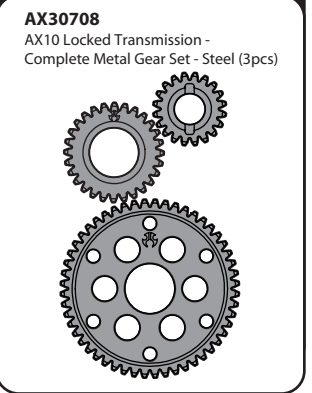
**AXA088**  
M3x20mm **x1**



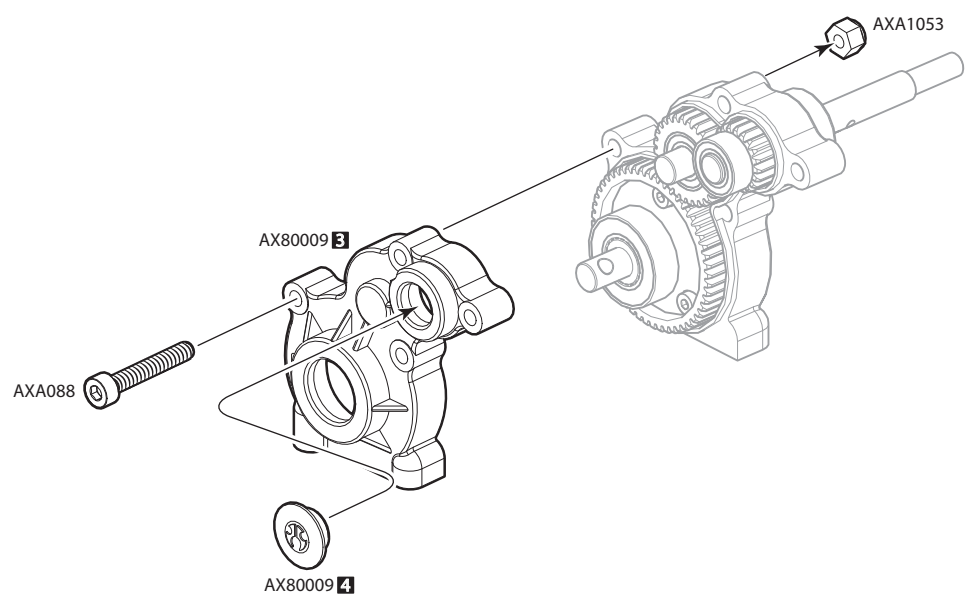
**AXA1053**  
M3 Nylon Locking Hex Nut **x1**

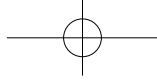
**19**

**Option Parts**



**20**

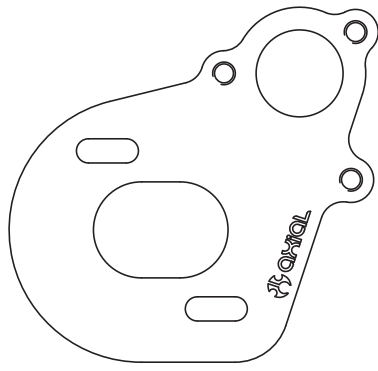




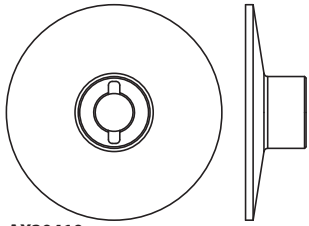
21



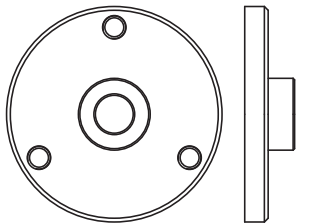
**AXA089** x3  
M3x25mm



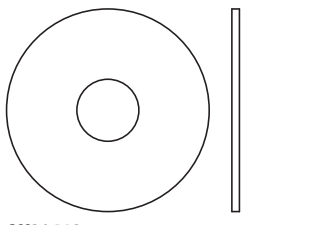
**AX30491**  
AX10 Scorpion Motor Plate x1



**AX30410** x1  
Inner Slipper Plate



**AX30411** x1  
Outer Slipper Plate



**AX30412** x1  
Slipper Pad 27x8x1mm



**AX30413** x1  
Spring 8.5x12



**AX30162** x1  
Pin 1.5x8mm



**AX1045** x1  
M4 Nylon Lock Nut



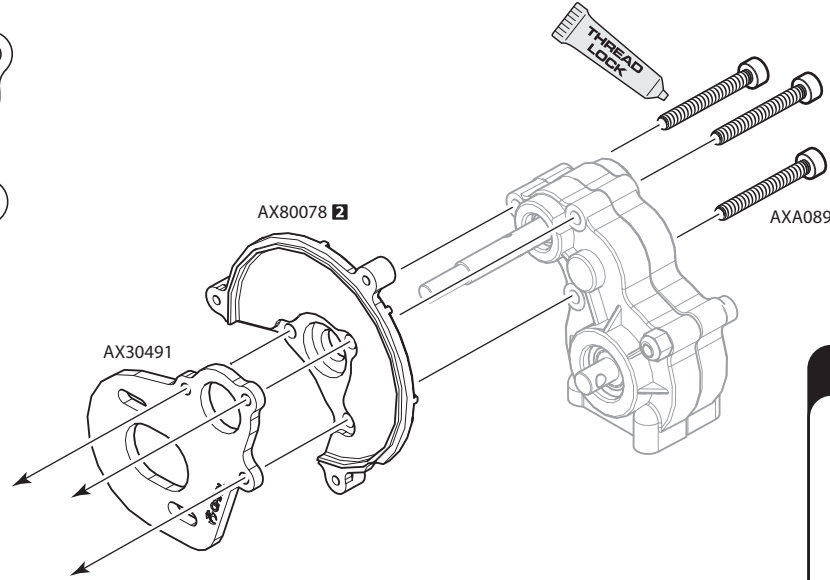
**AXA1070** x3  
Washer 3x6x0.5



**AXA1071** x1  
Washer 4x8x0.5mm

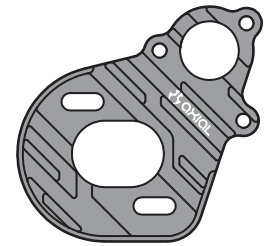


**AXA1091** x1  
Washer 5x10x0.5mm

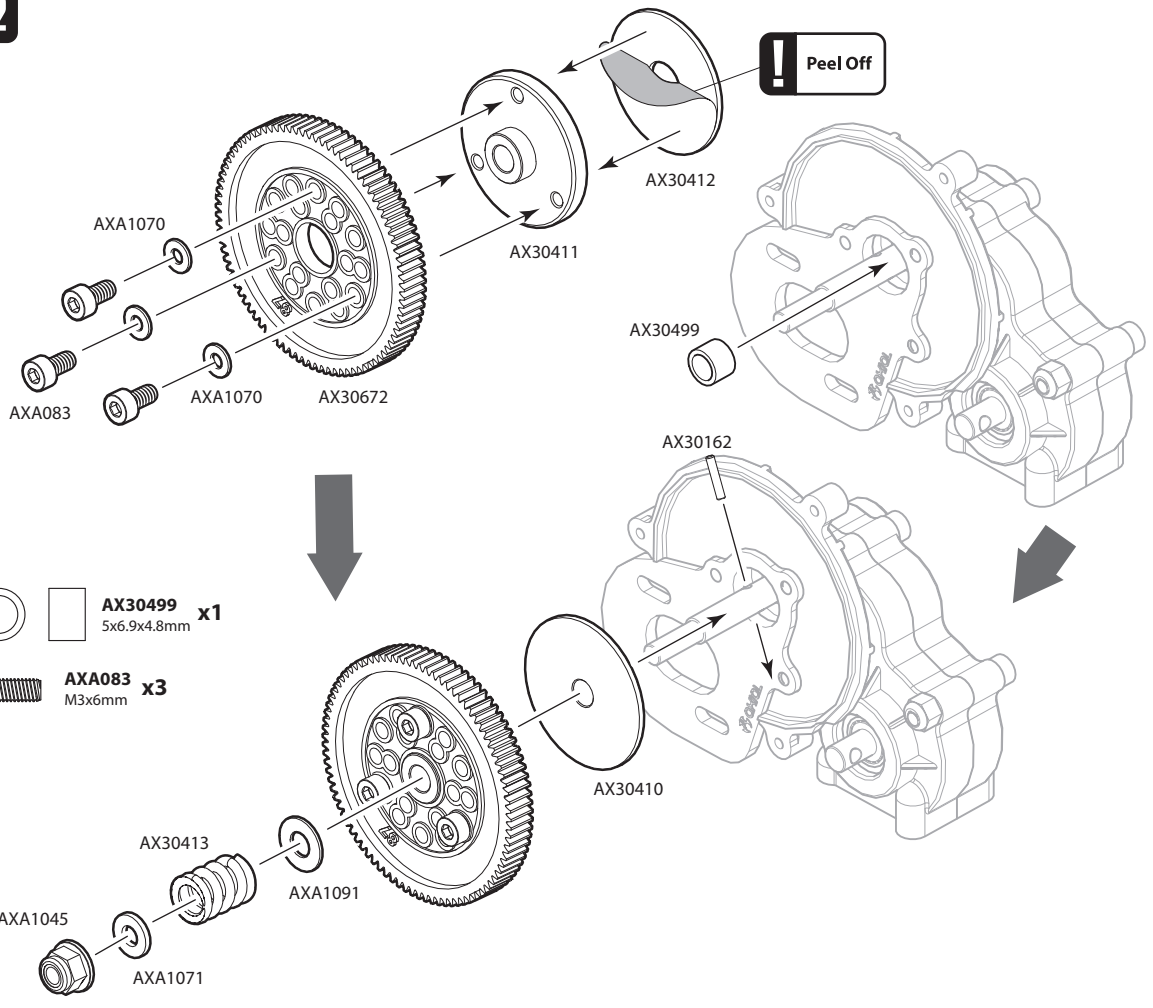


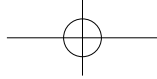
**Option Parts**

**AX30860**  
Machined Motor Plate

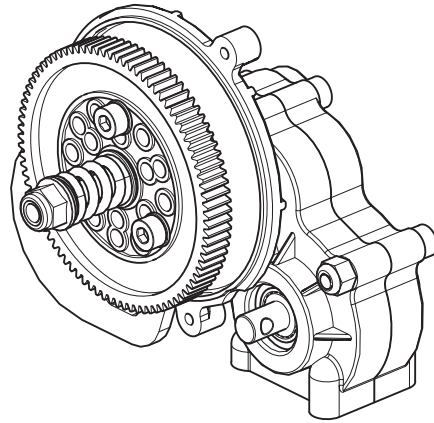


22





23



### Slipper Clutch Setup

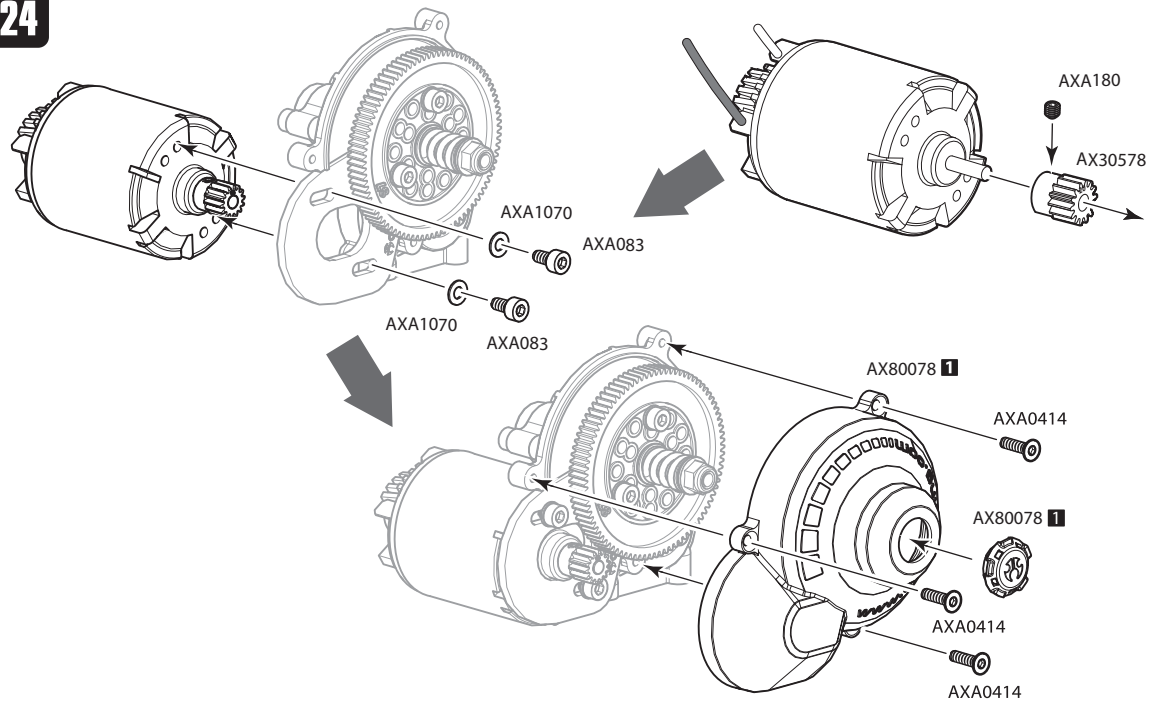
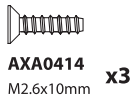
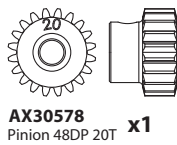
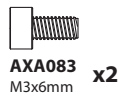
To set the slipper clutch, tighten the nut (⌚ Clockwise) until it stops then loosen it 2 turns (⌚ Counter clockwise). The spur gear should slip when firm pressure is applied. Do not overtighten the slipper clutch, damage may occur to the drivetrain.

### Testing the slipper clutch

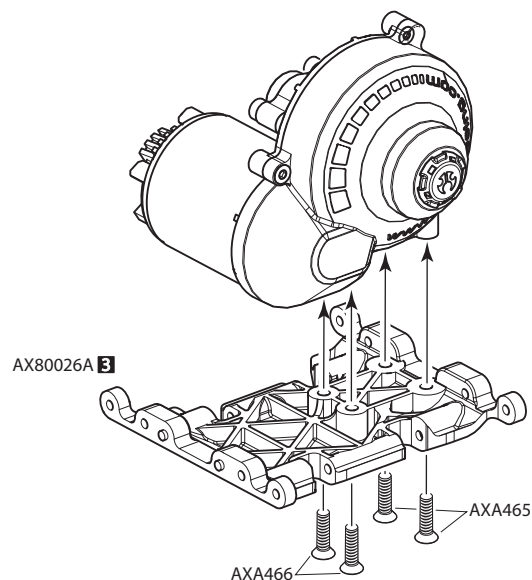
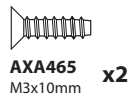
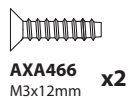
1. Hold the tires
2. Use your fingers to rotate the spur gear

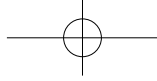
Note: The spur gear should slip when firm pressure is applied. If it does not slip, loosen the nut in 1/2 turn increments

24



25

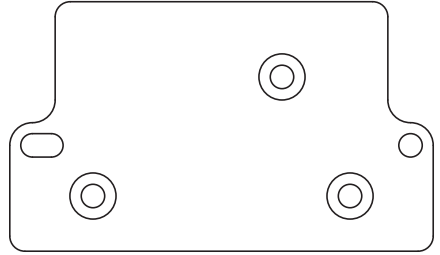




**E** Open Bag E

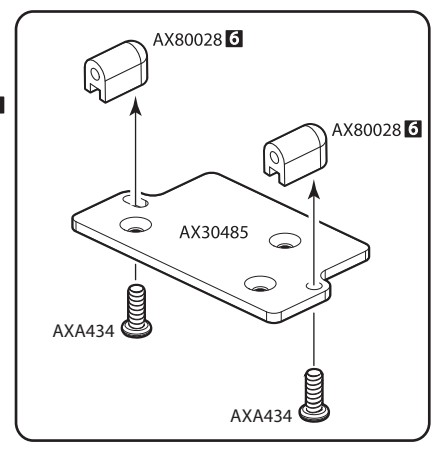
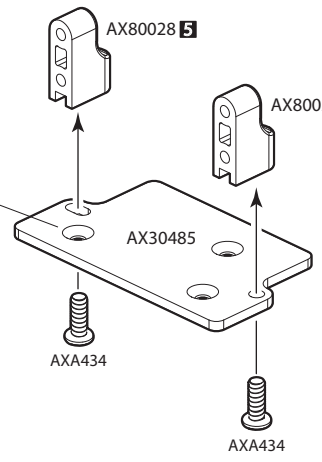
**26**

**AXA434**  
M3x8mm **x2**



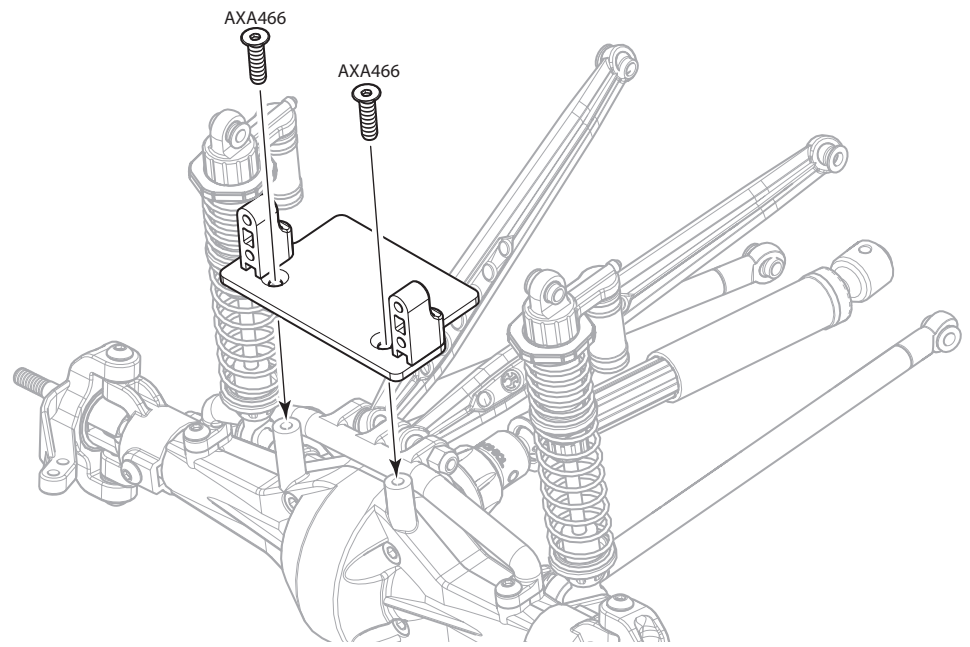
**AX30485**  
AX10 Scorpion Servo Plate **x1**

**Note Direction**  
Richtung beachten



**AXA466**  
M3x12mm Hex Socket Tapping Flat Head **x2**

**27**

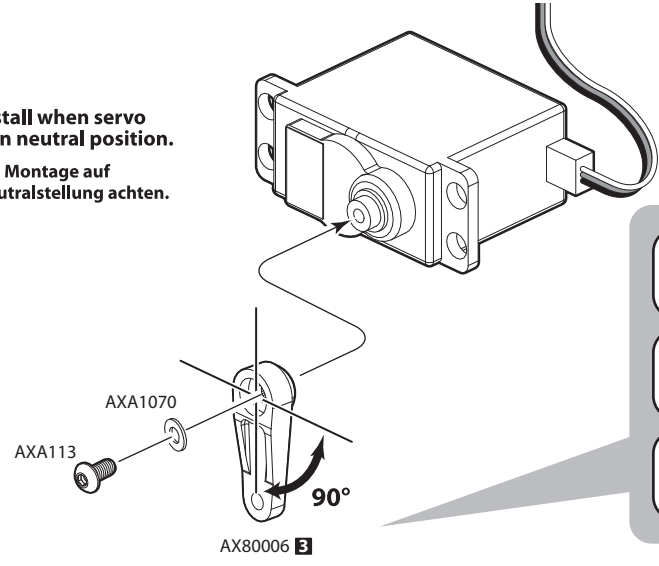


**AXA113**  
M3x6mm **x1**

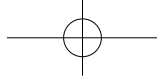
**AXA1070**  
Washer 3x6x0.5mm **x1**

**28**

**Install when servo is in neutral position.**  
Bei Montage auf Neutralstellung achten.



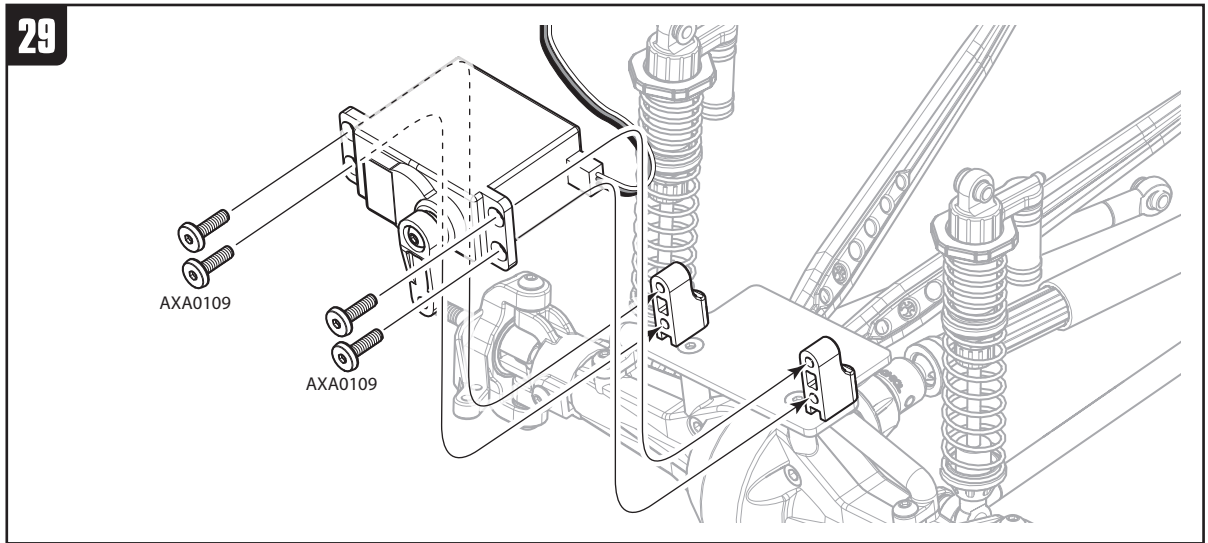
- AX80006** **23** **Airtronics / JR / KO**
- AX80006** **24** **Hitec**
- AX80006** **25** **Futaba**



**AXA0109**  
M3x10mm

**x4**

**29**



**AXA186**  
3x16mm Set Screw

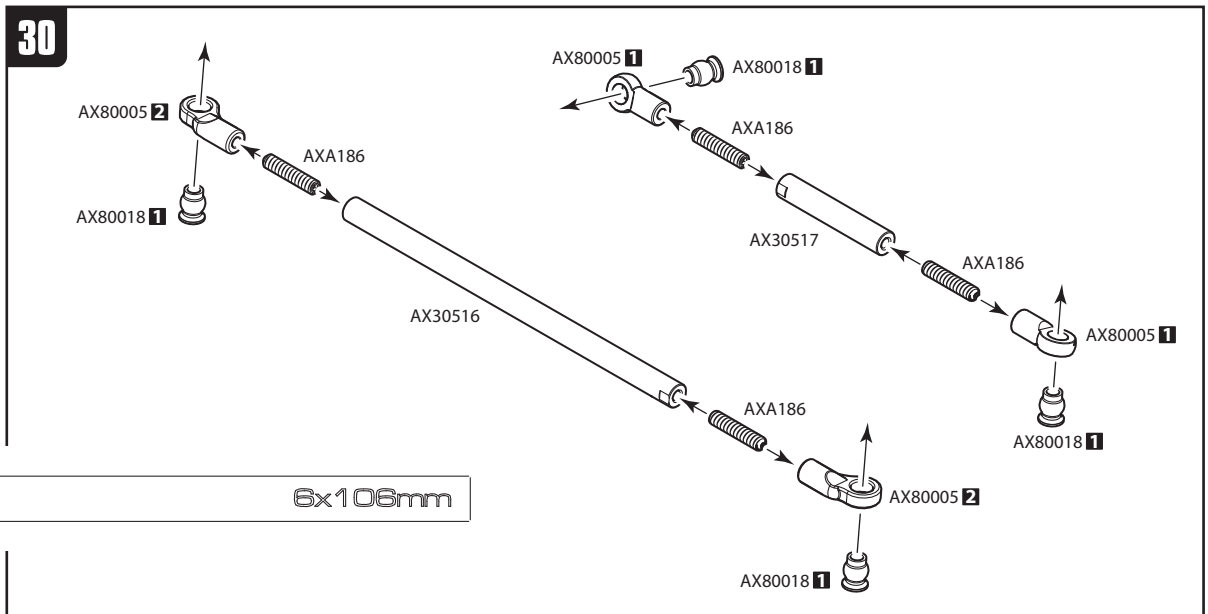
**x4**



**AX30517**  
6x33mm

**x1**

**30**



6x106mm

**AX30516**  
6x106mm

**x1**



**AXA117**  
M3x15mm

**x2**



**AXA120**  
M3x25mm Hex Socket Button Head

**x1**



**AXA1053**  
M3 Nylon Locking Hex Nut

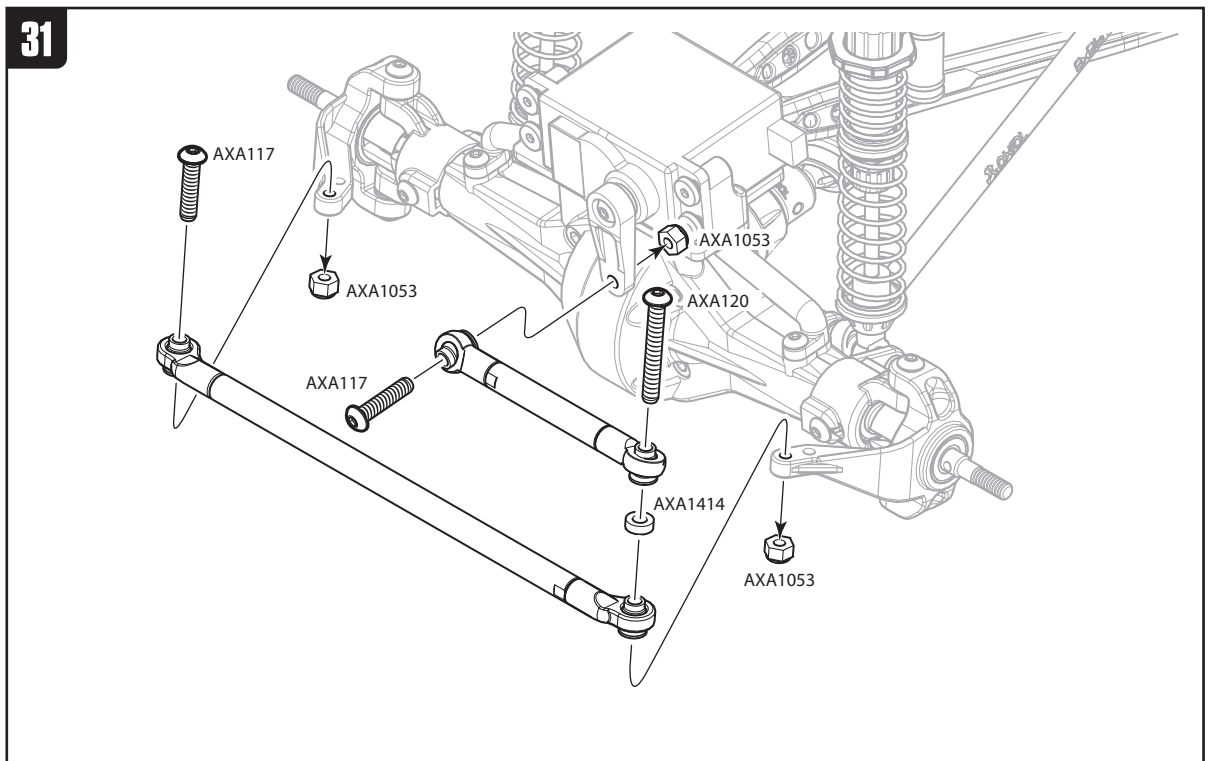
**x3**

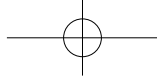


**AXA1414**  
6x2x3mm

**x1**

**31**

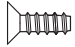


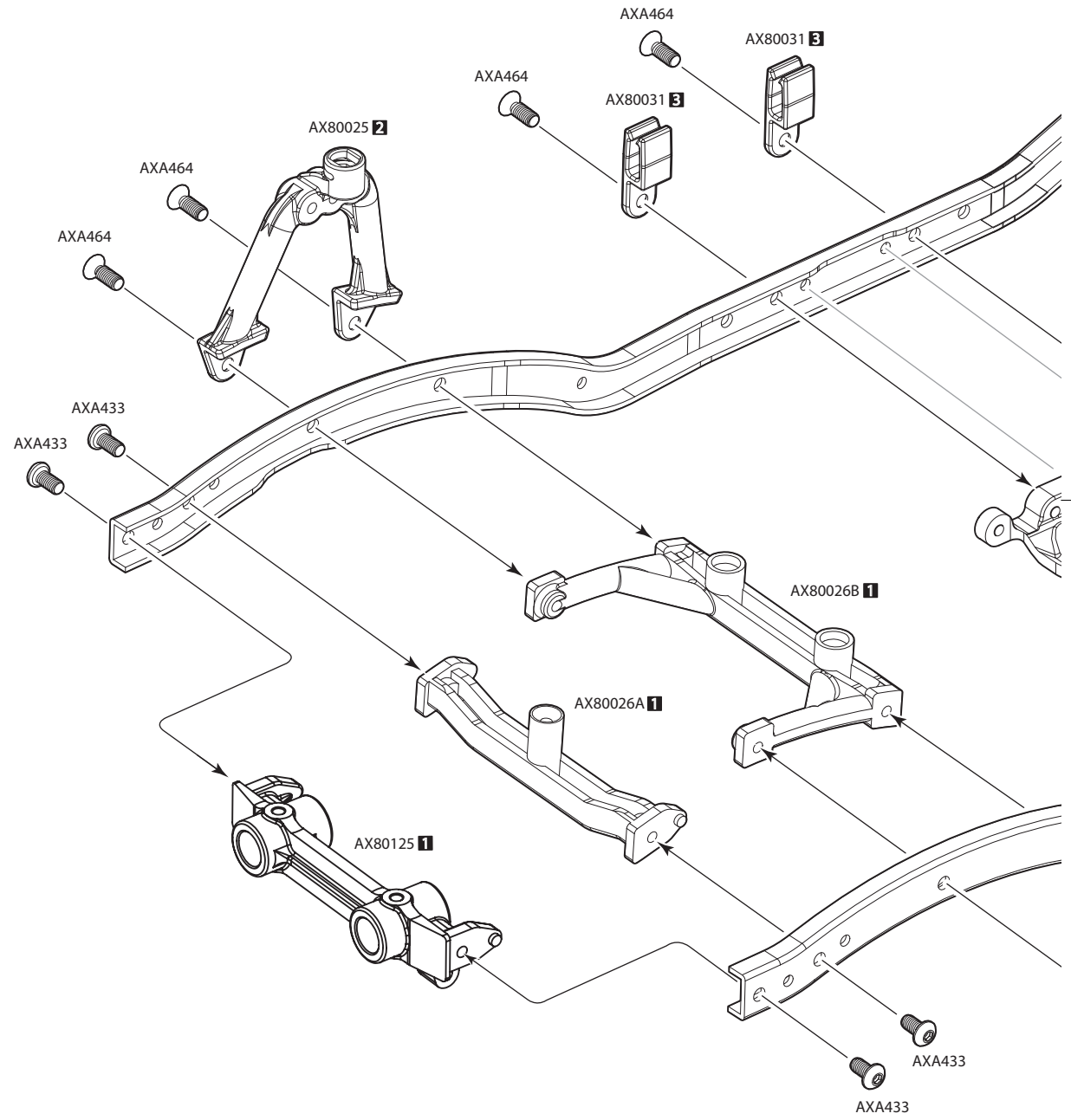


**F** Open Bag F

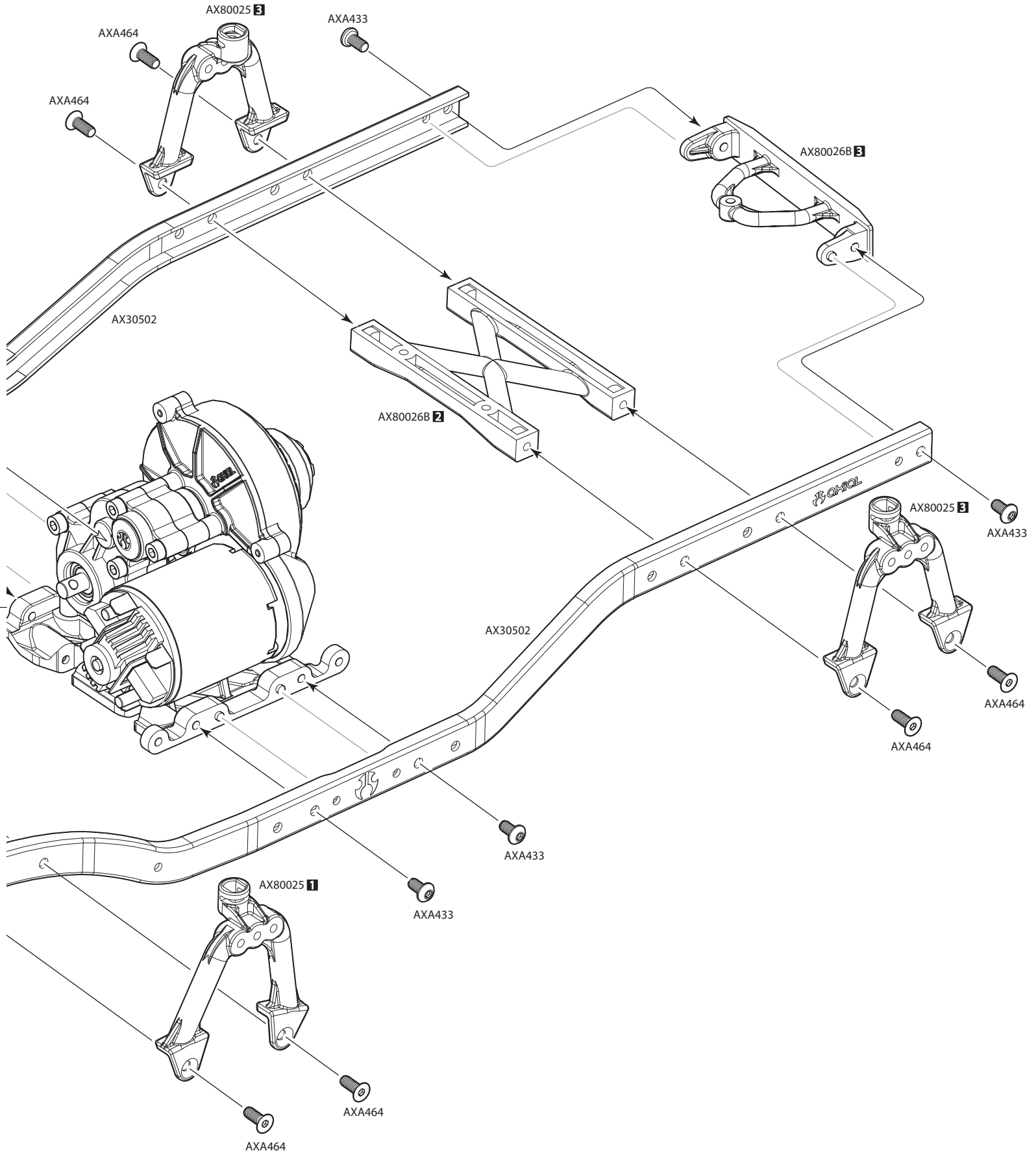
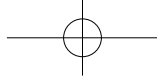
**32**

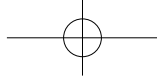
 **AXA433** x8  
M3x6mm

 **AXA464** x10  
M3x8mm









**AXA119** x2  
M3x20mm



**AXA087** x2  
M3x16mm

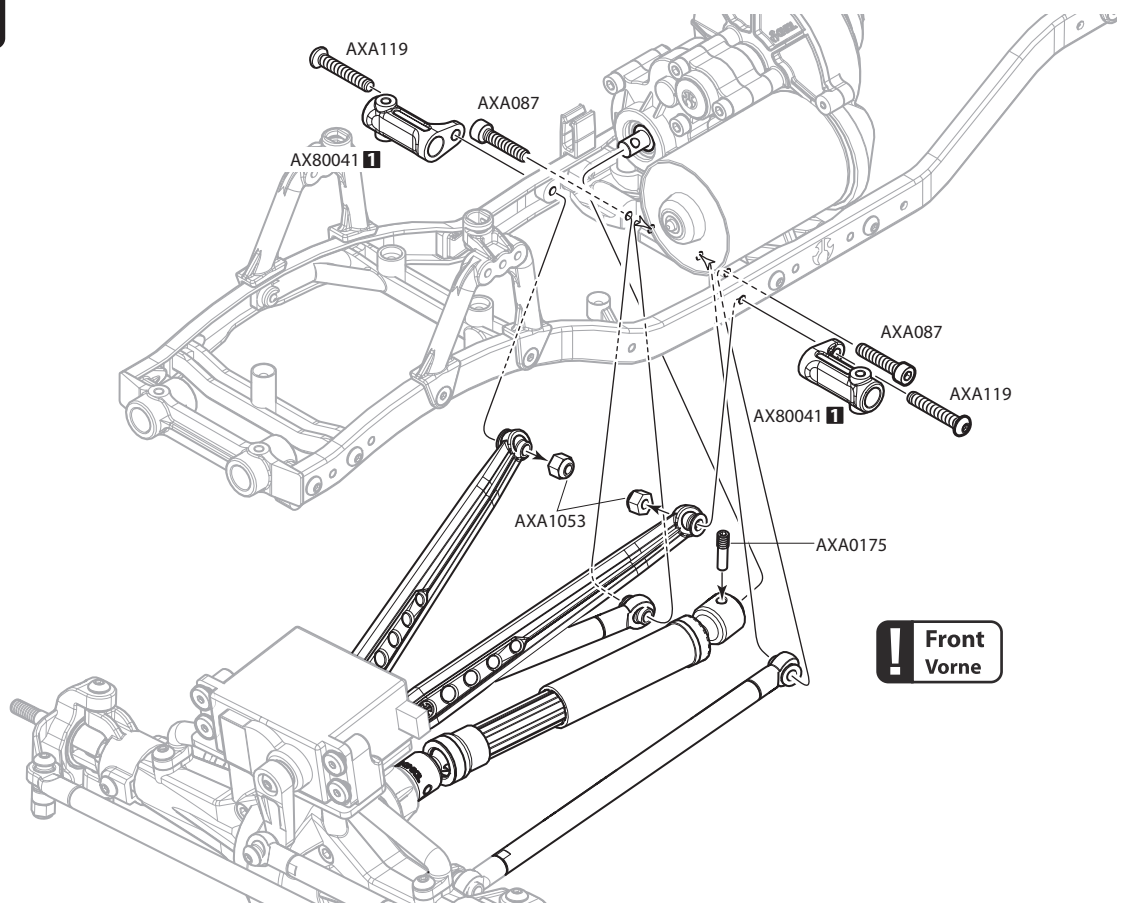


**AXA1053** x2  
M3 Nyion Lock Nut



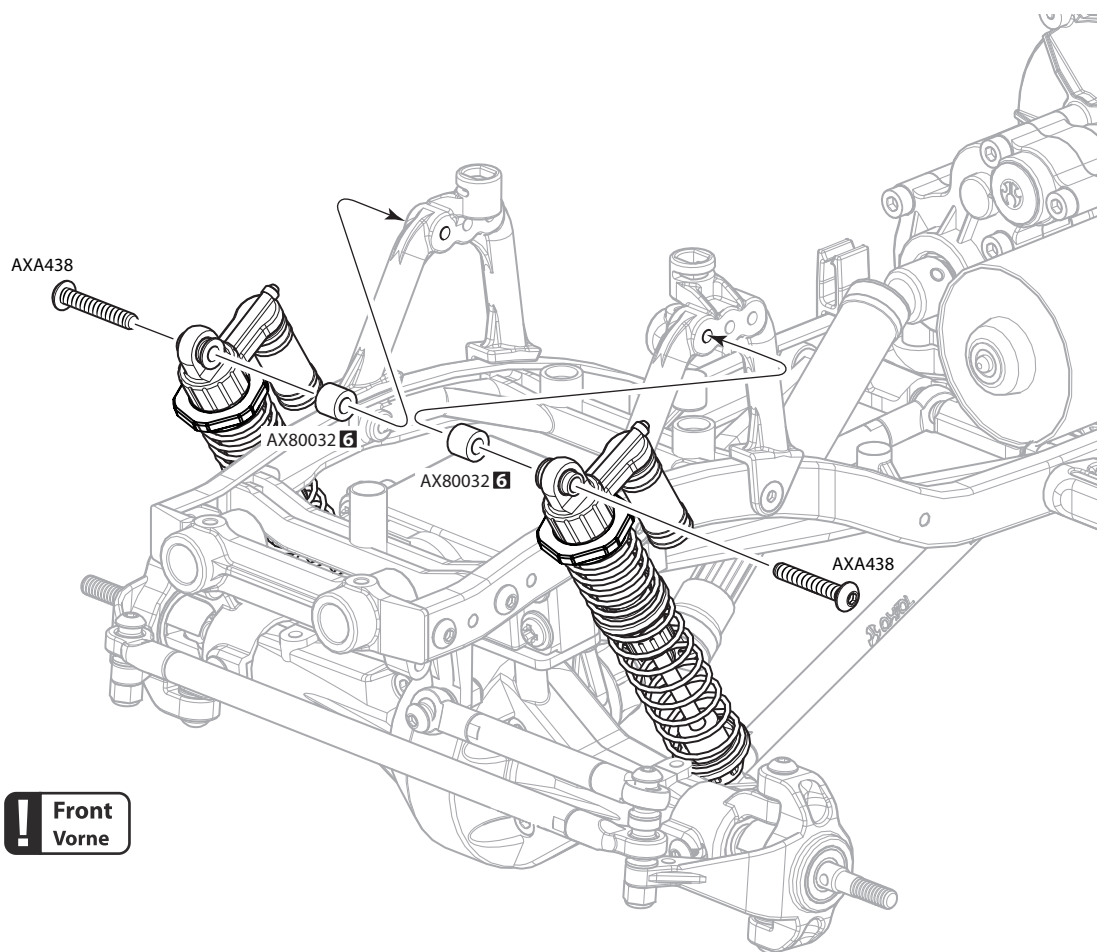
**AXA0175**  
Screw Shaft M3x2.5x11mm x1

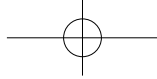
**33**



**AXA438** x2  
M3x18mm

**34**





**AXA119** x2  
M3x20mm



**AXA087** x2  
M3x16mm

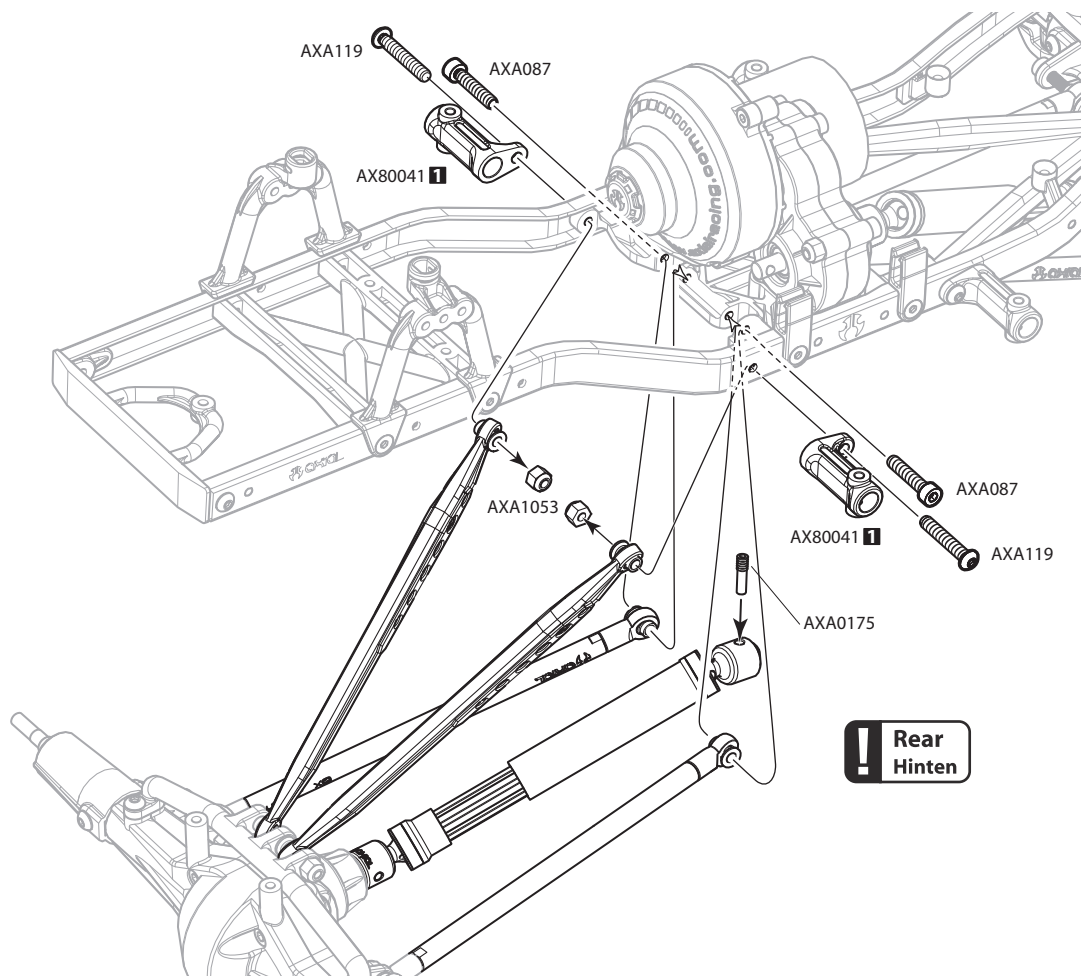


**AXA1053** x2  
M3 Nylon Lock Nut



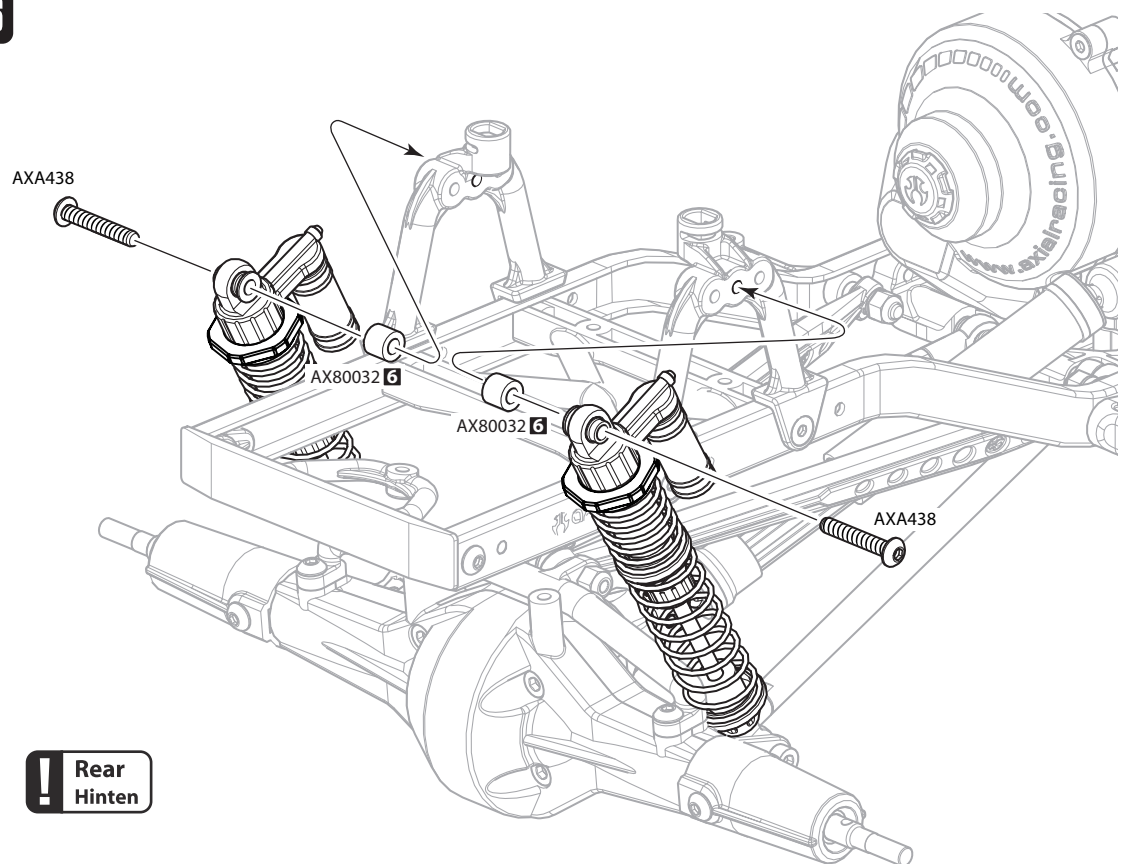
**AXA0175**  
Screw Shaft M3x2.5x11mm x1

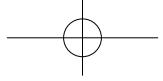
**35**



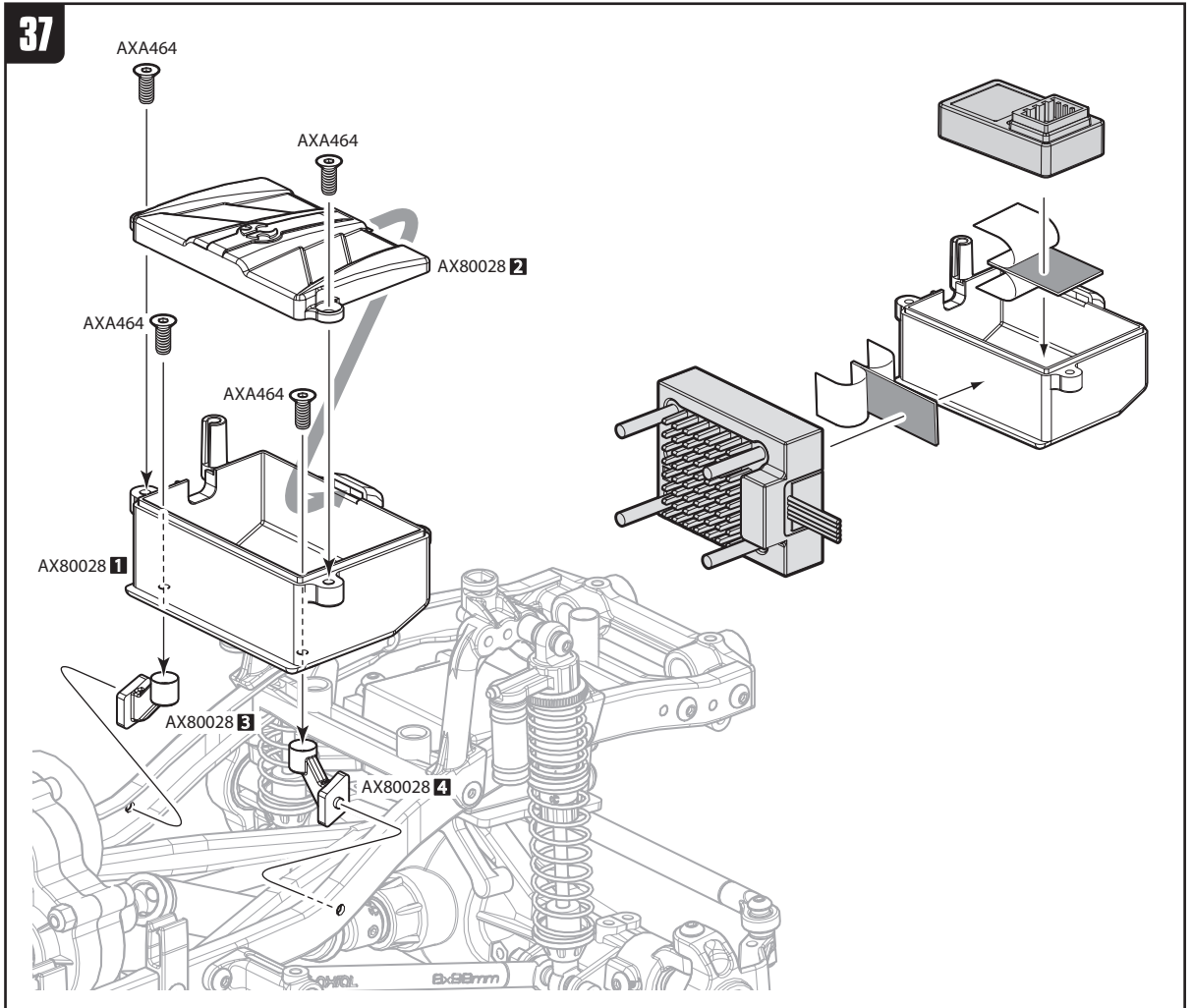
**AXA438** x2  
M3x18mm

**36**

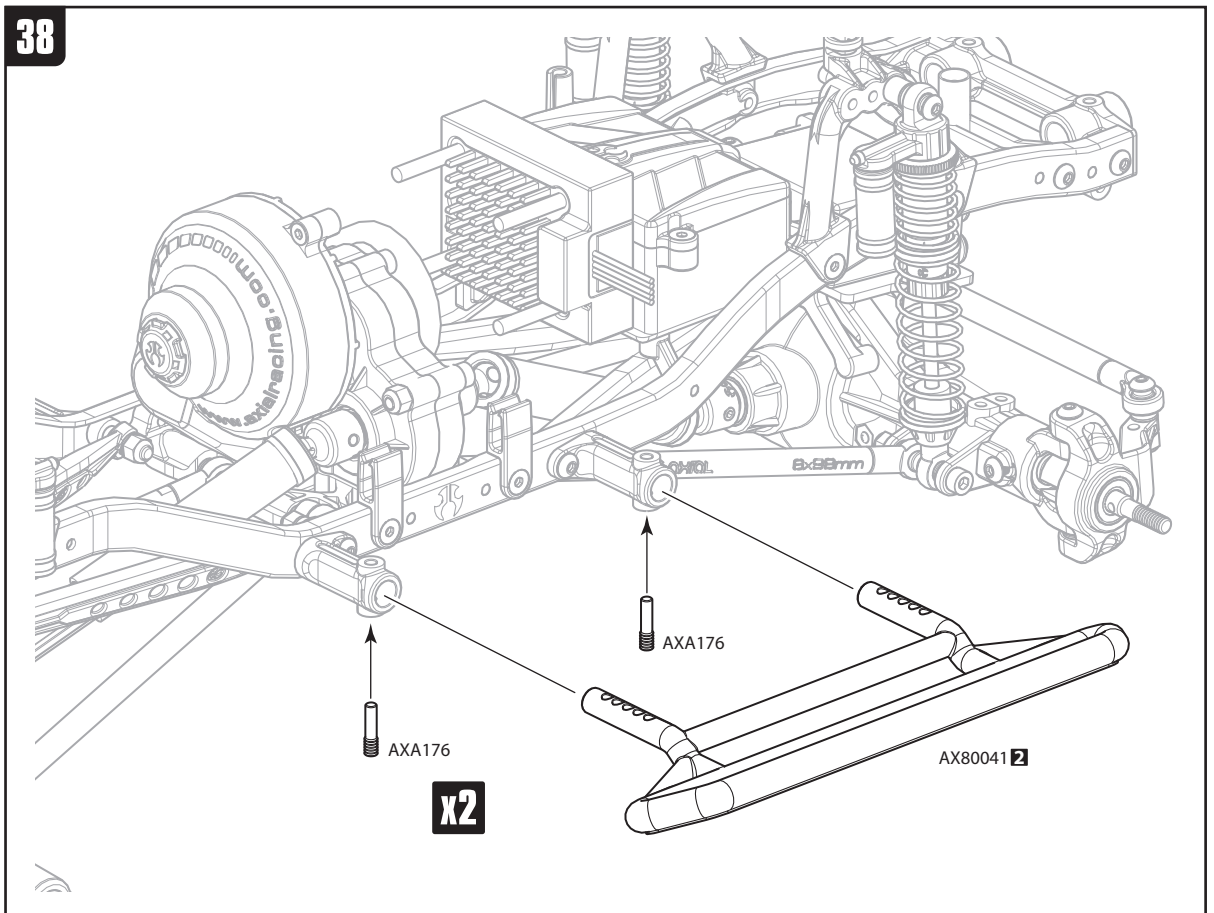


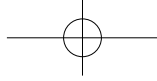


**AXA464**  
M3x8mm **x4**

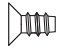


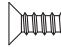
**AXA176**  
M3x2.5x13mm **x4**

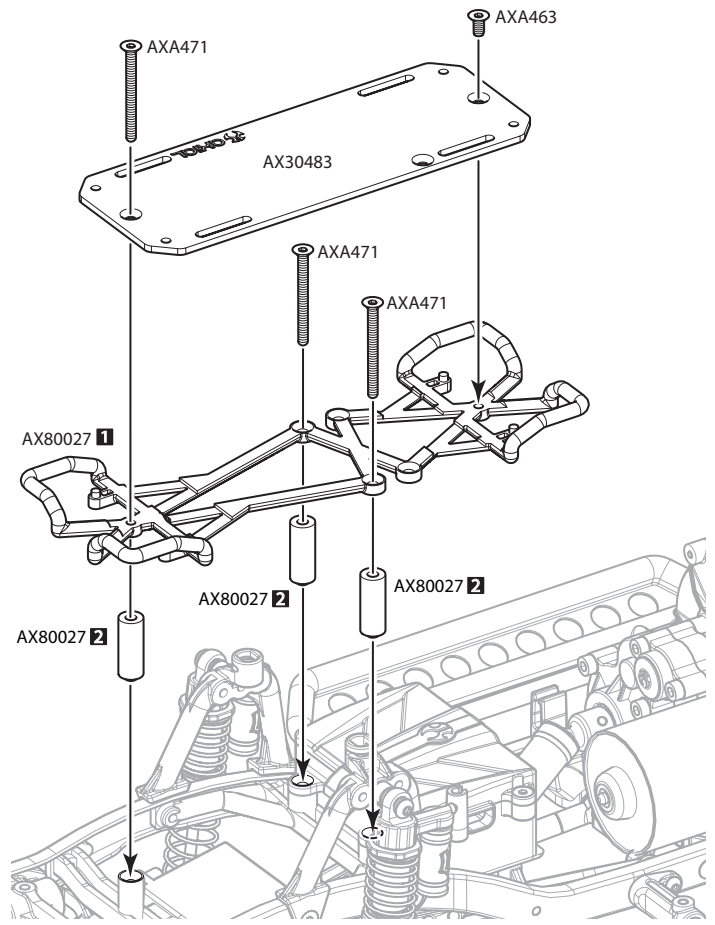
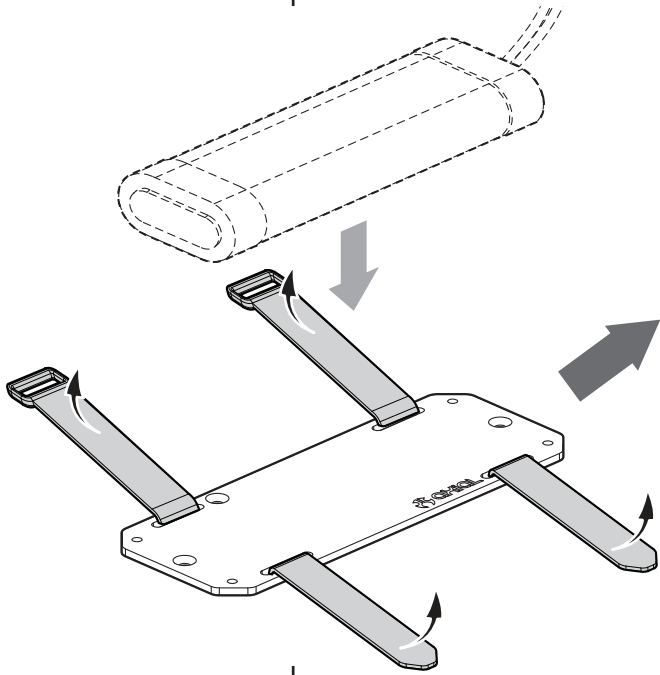




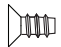
39

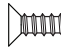
 **AXA463** x1  
M3x6mm

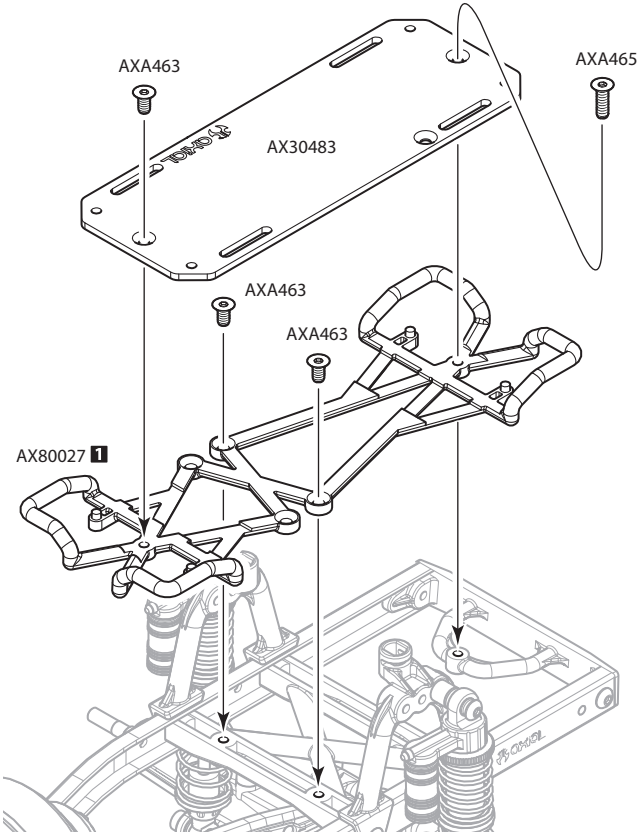
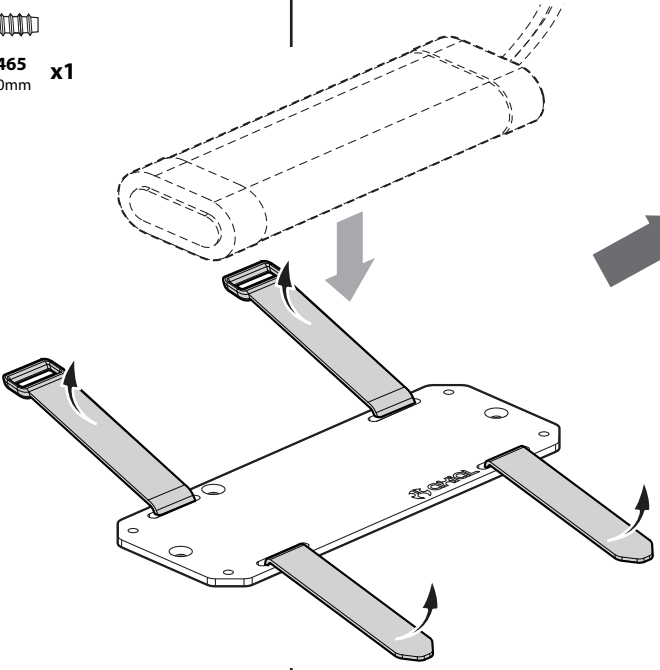
 **AXA471** x3  
M3x30mm

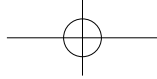


### Optional Rear Battery Mount

 **AXA463** x3  
M3x6mm


 **AXA465** x1  
M3x10mm

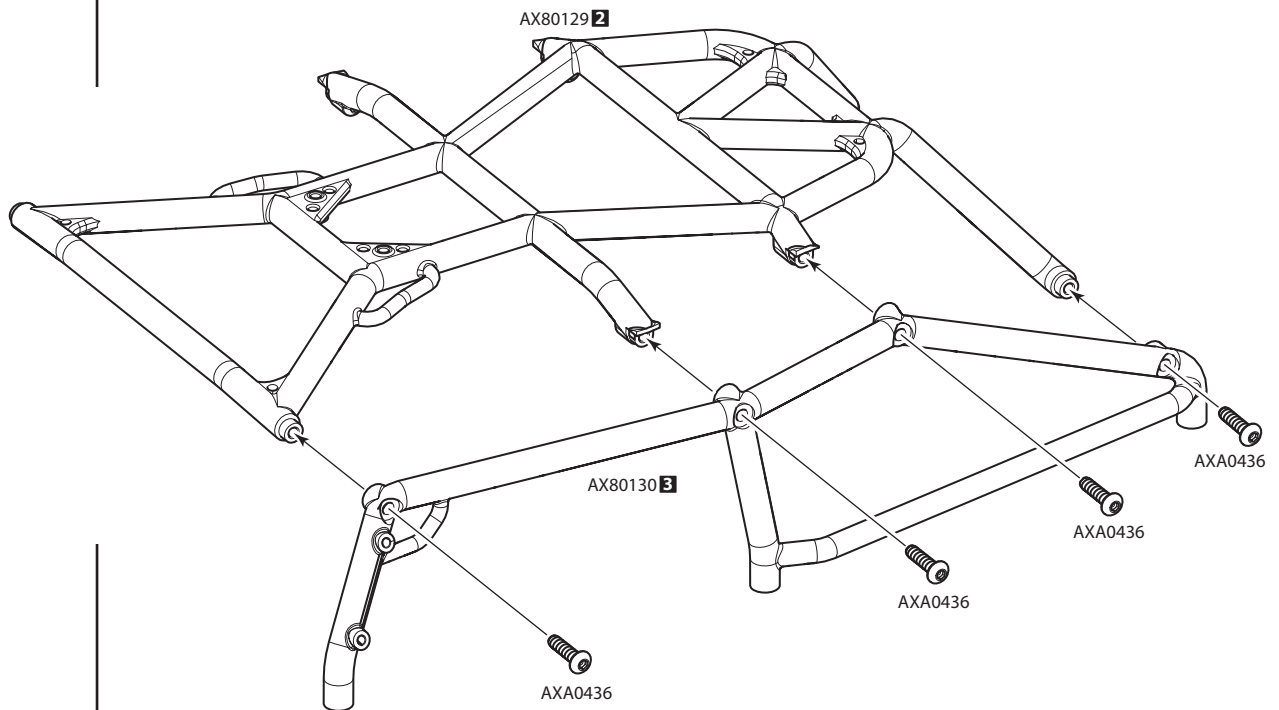


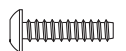


# G Open Bag G

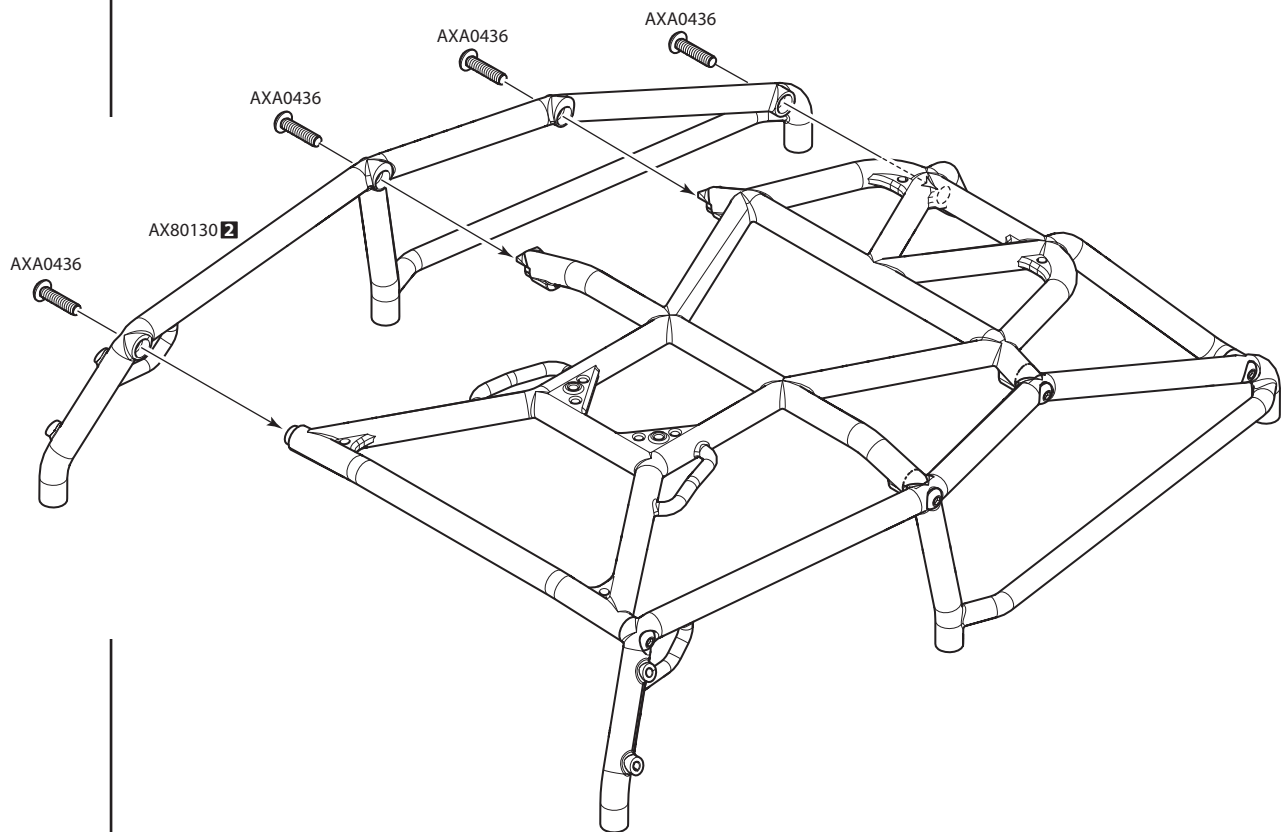
## 40

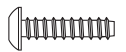
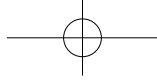
  
**AXA436** x4  
M3x12mm



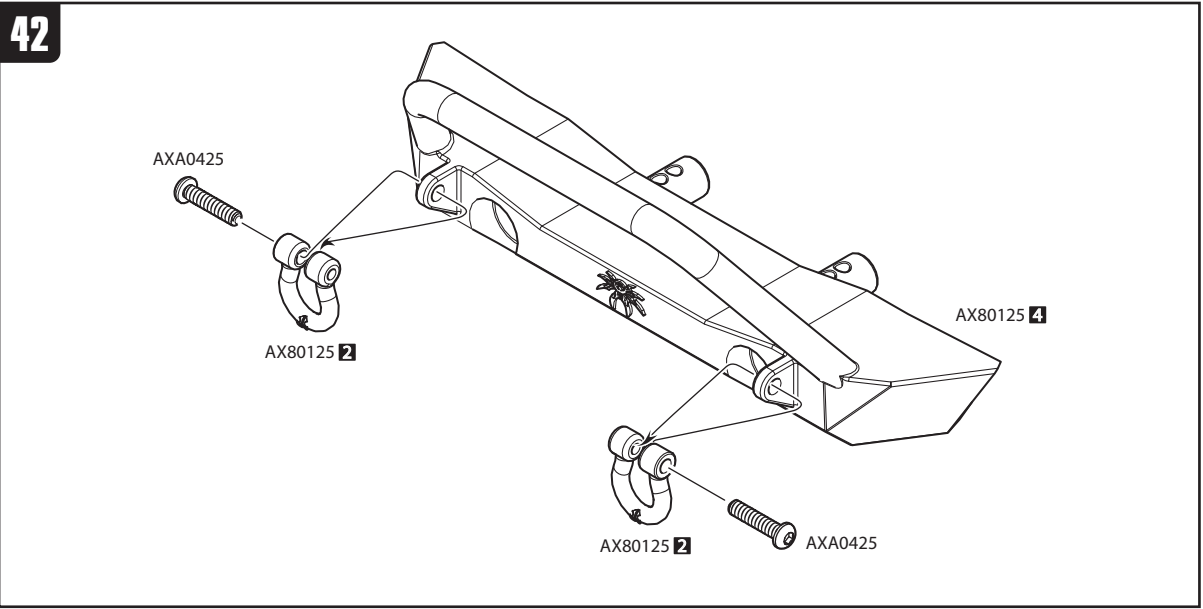
  
**AXA436** x4  
M3x12mm

## 41

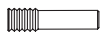
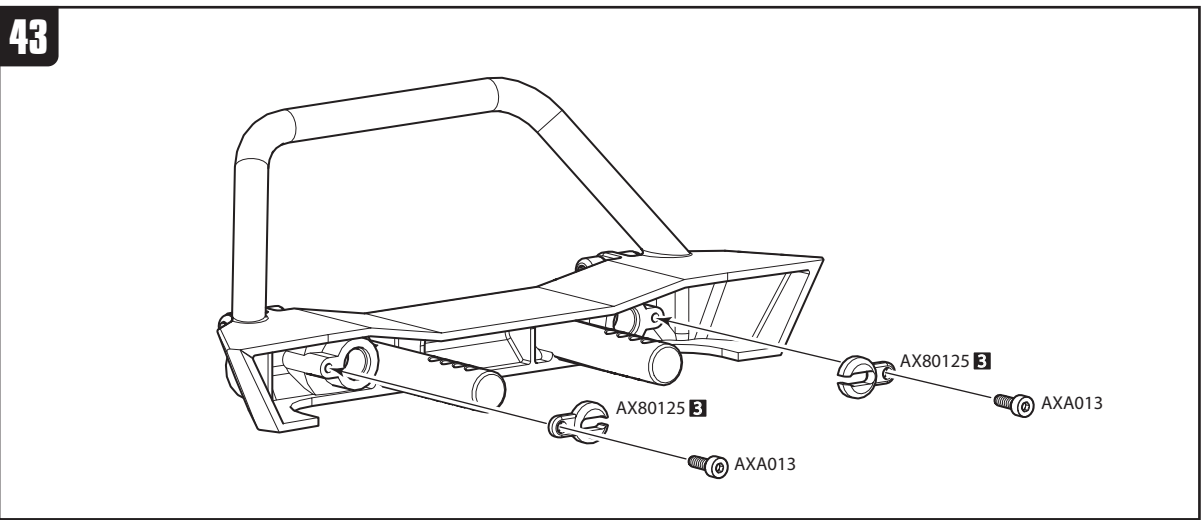




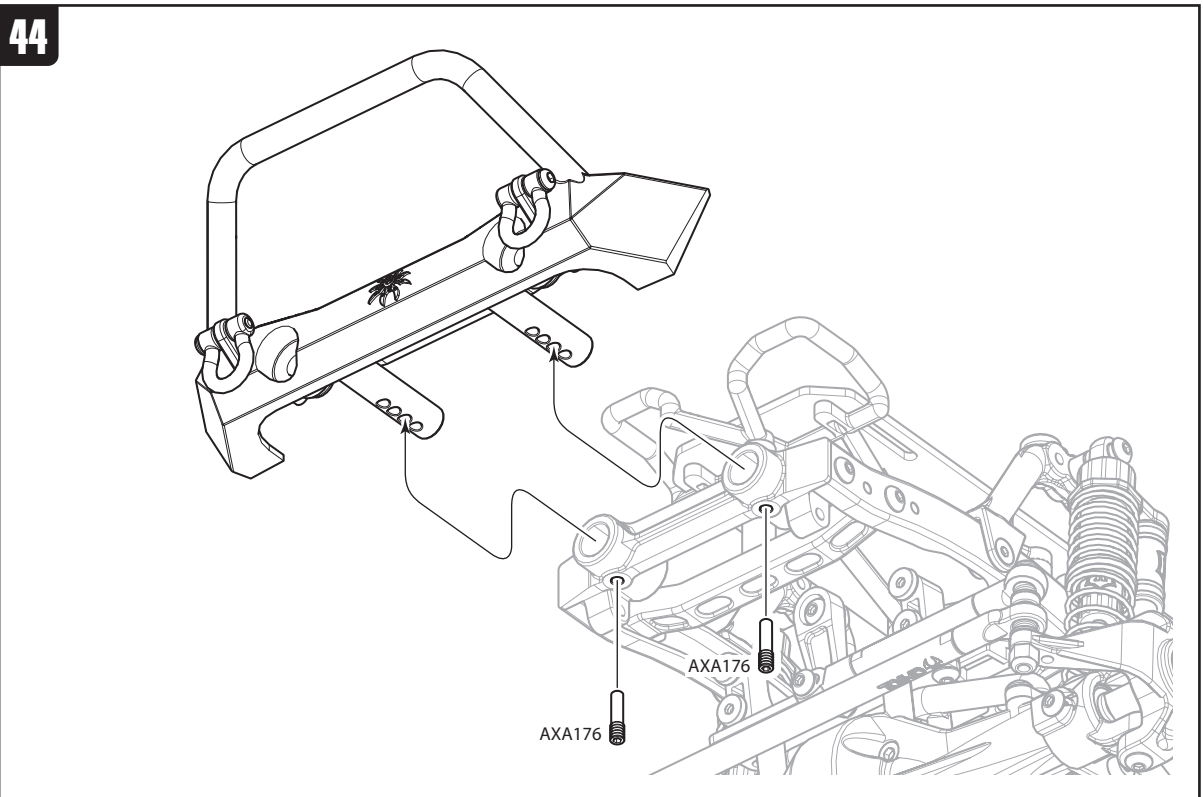
**AXA0425** x2  
M2.6x12mm

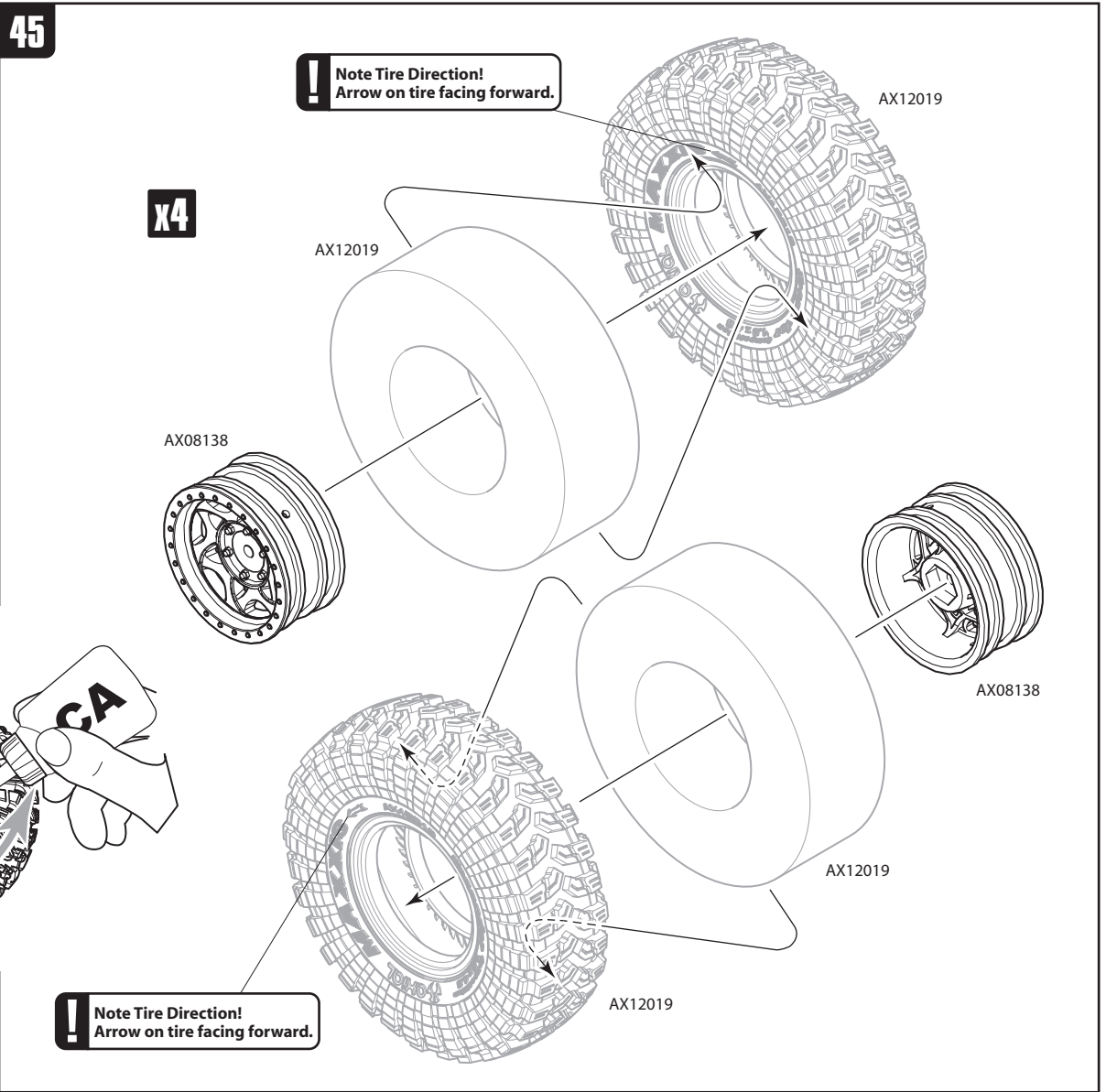
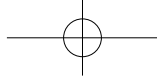



**AXA013** x2  
M2x6mm

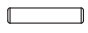


**AXA176** x2  
M3x2.5x13mm

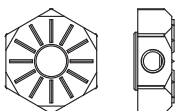


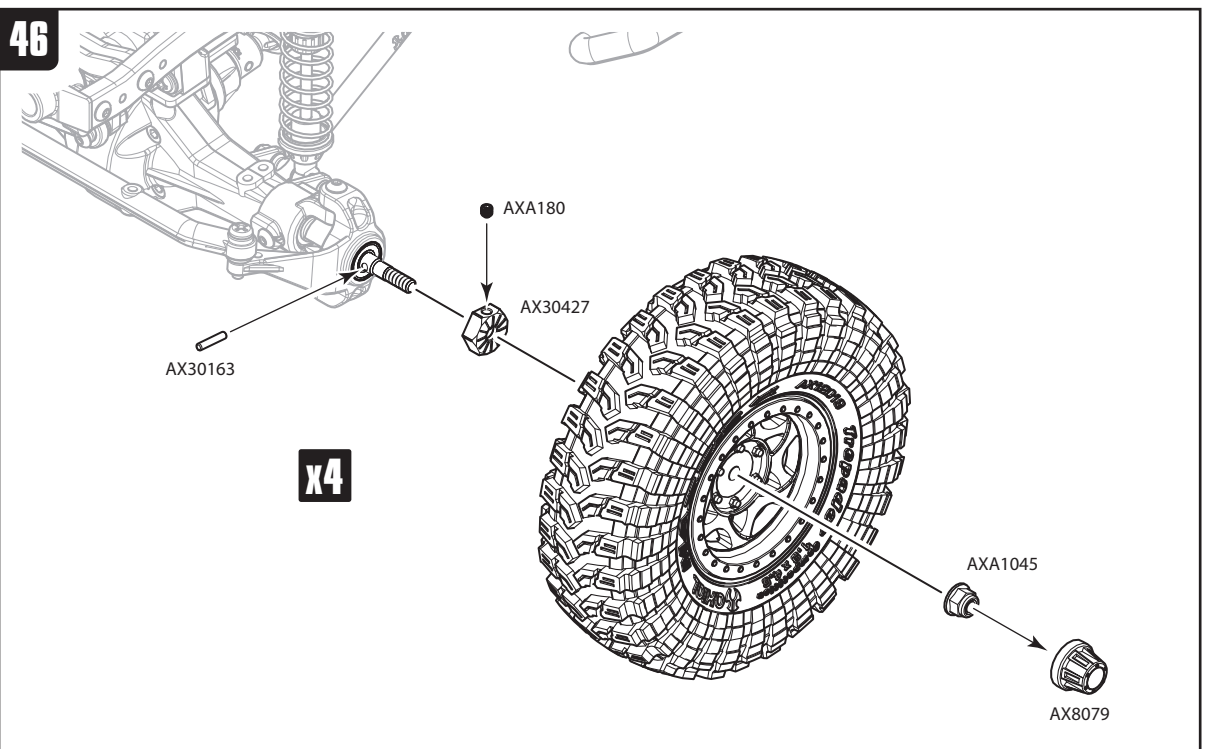


 **AXA180** x4  
M3x3mm

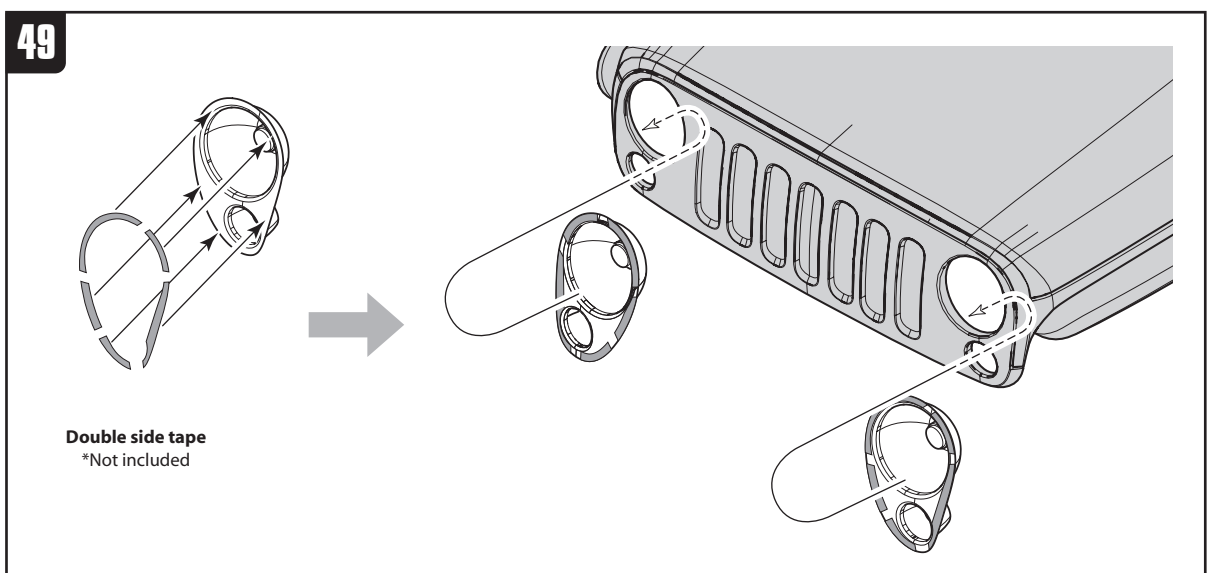
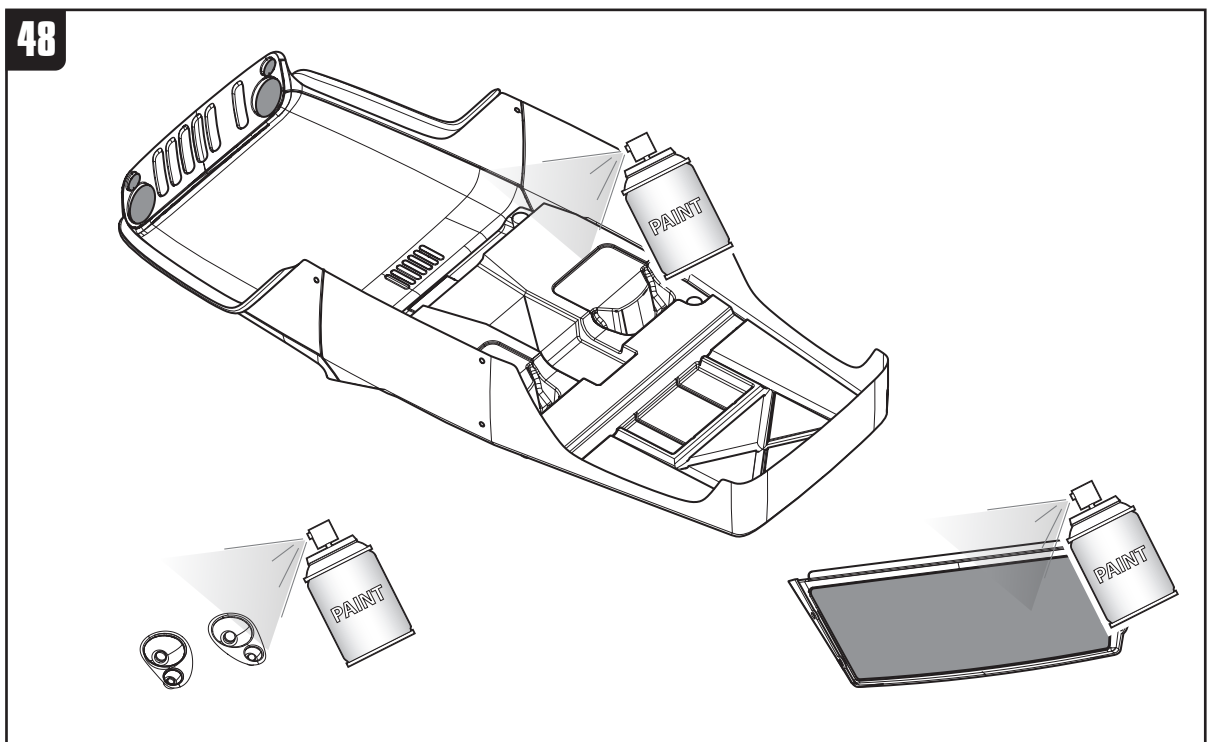
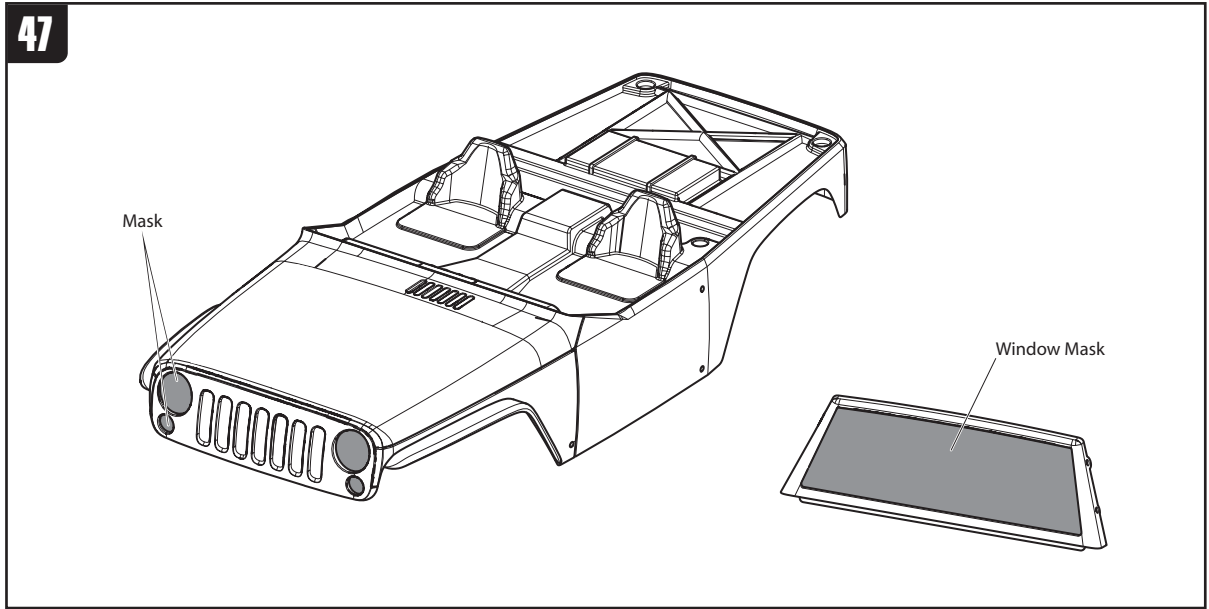
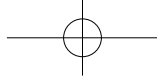
 **AX30163** x4  
Pin 2.0x10

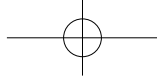
 **AXA1045** x4  
M4 Nylon Lock Nut

 **AX30427** x4  
12mm Aluminum Hub



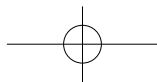
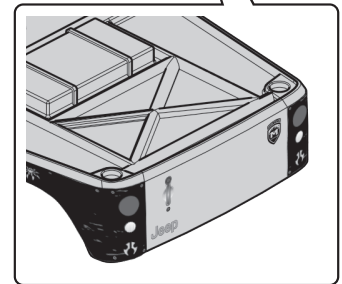
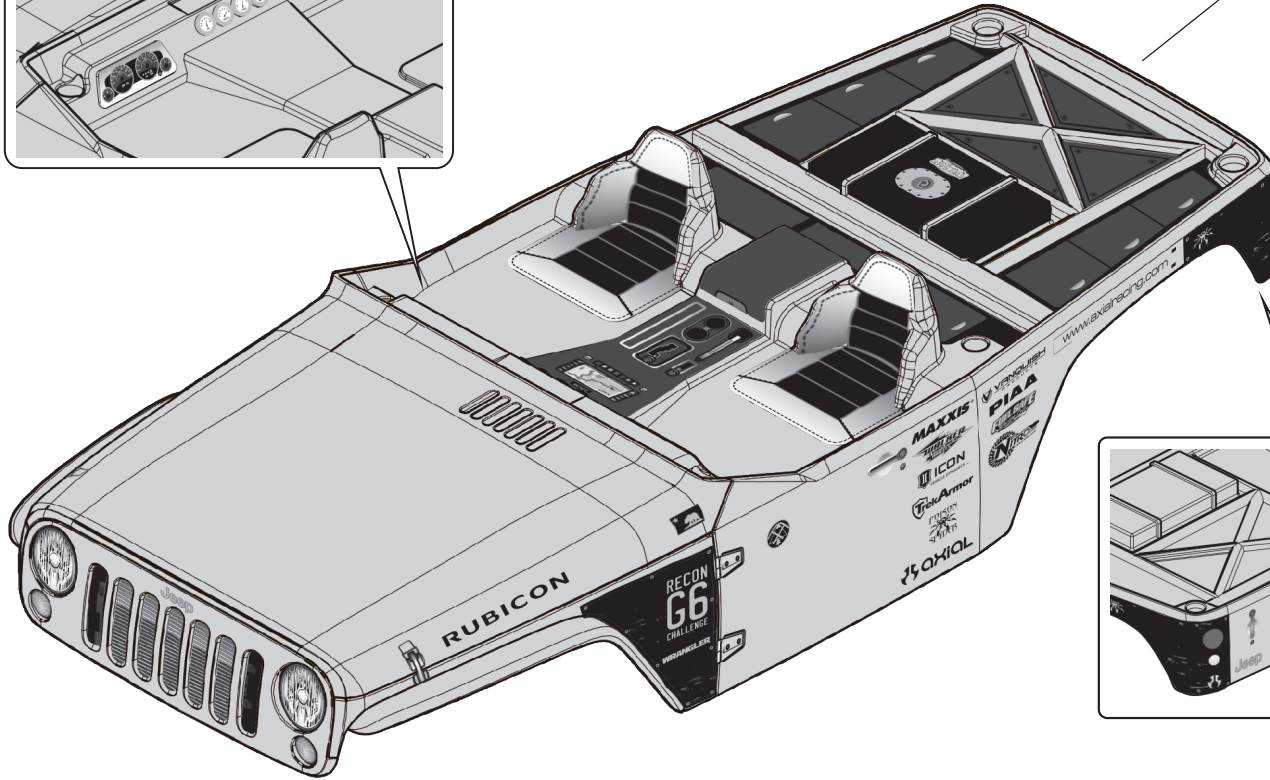
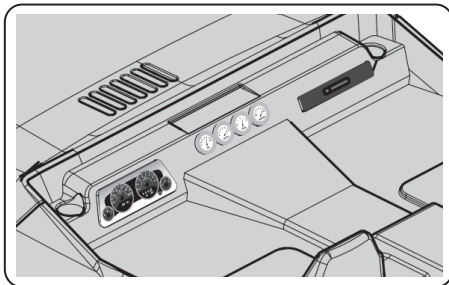
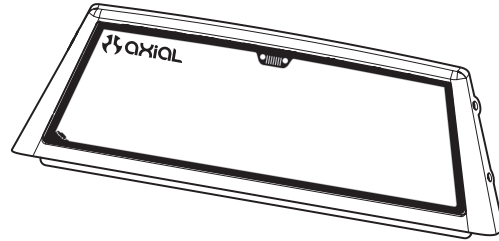
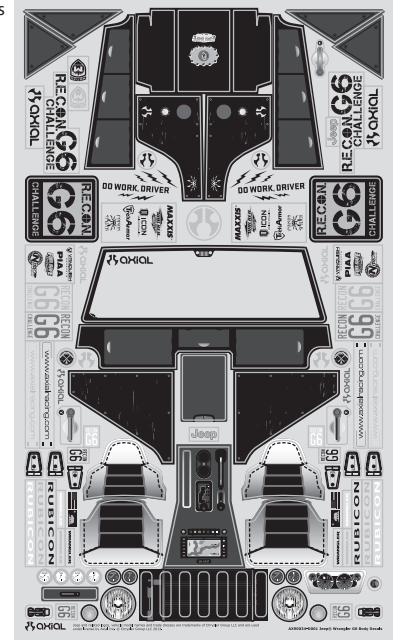


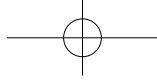




50

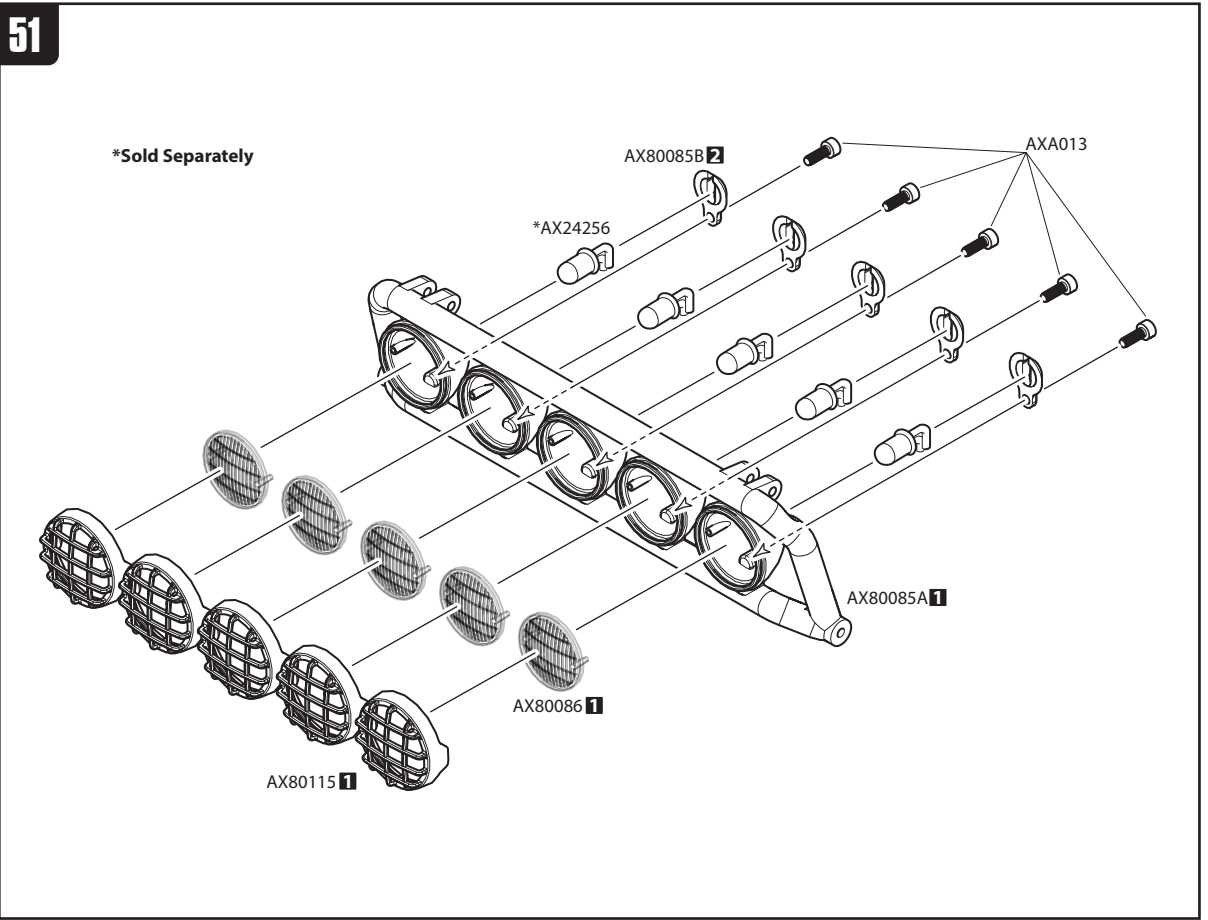
Jeep Wrangler G6 Body Decals





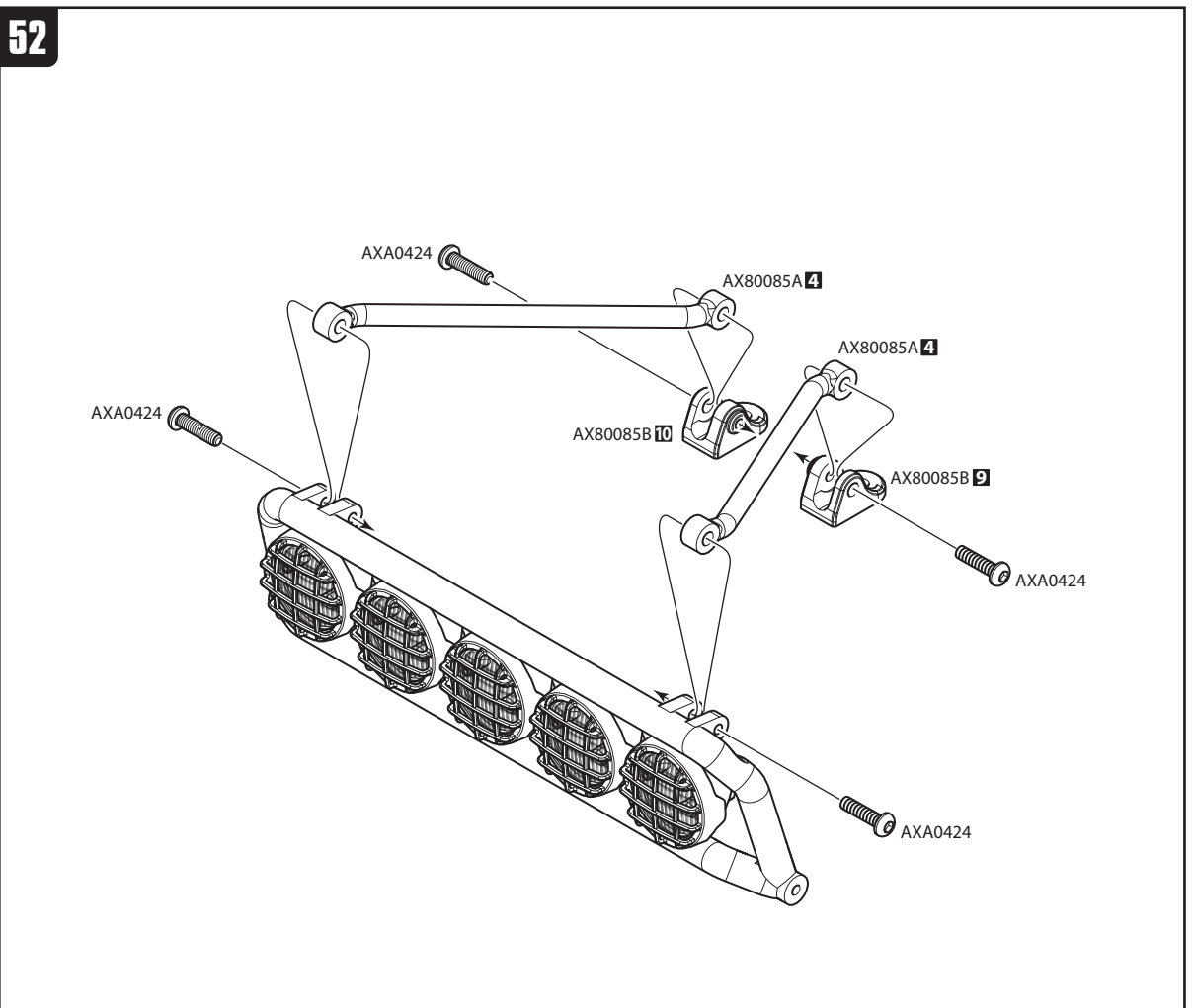
 **AXA013**  
M2x6mm **x5**

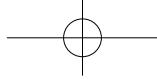
**51**



 **AXA0424**  
M2.6x10mm **x4**

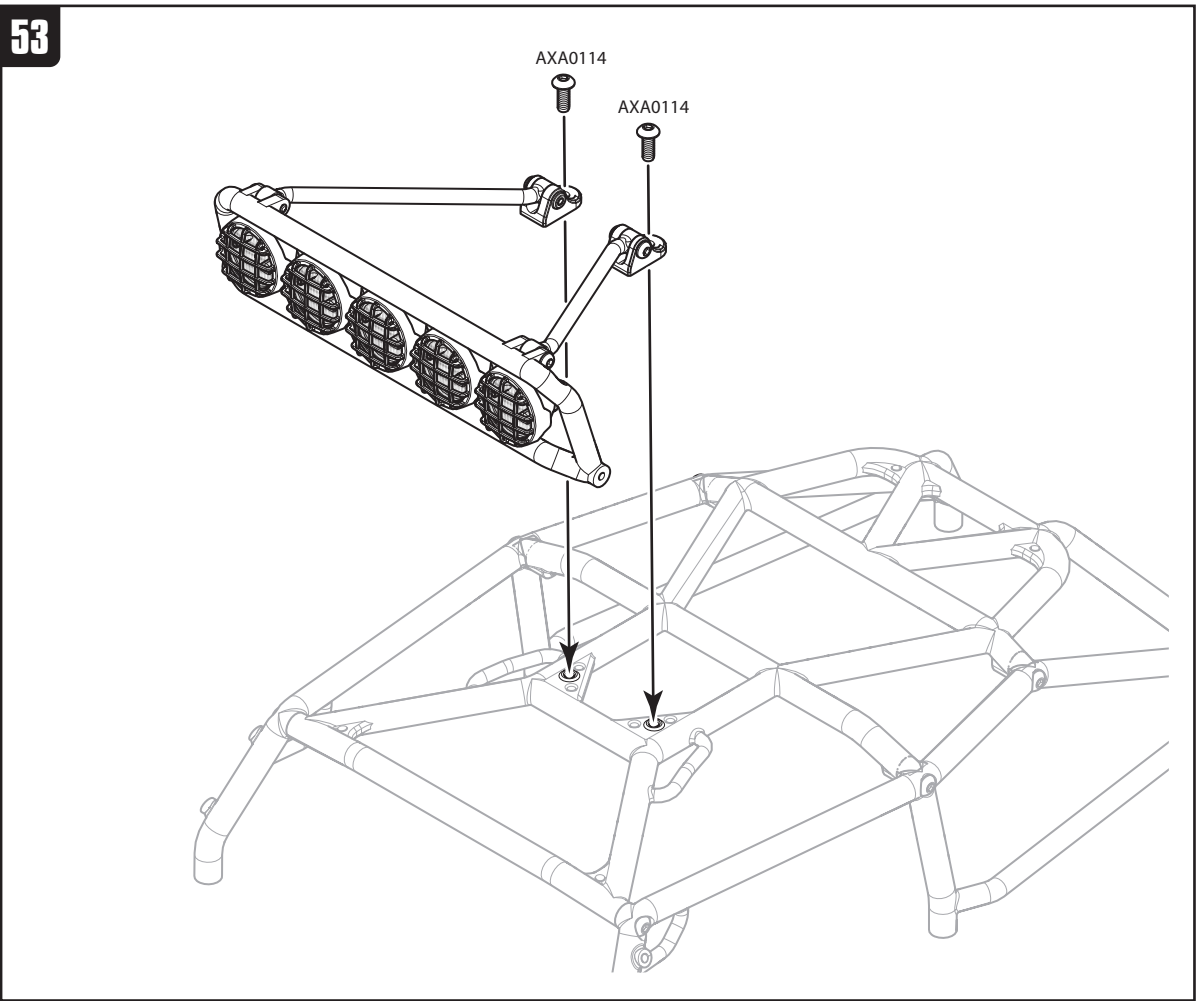
**52**





**AXA0114** x2  
M3x8mm

**53**

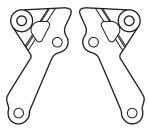
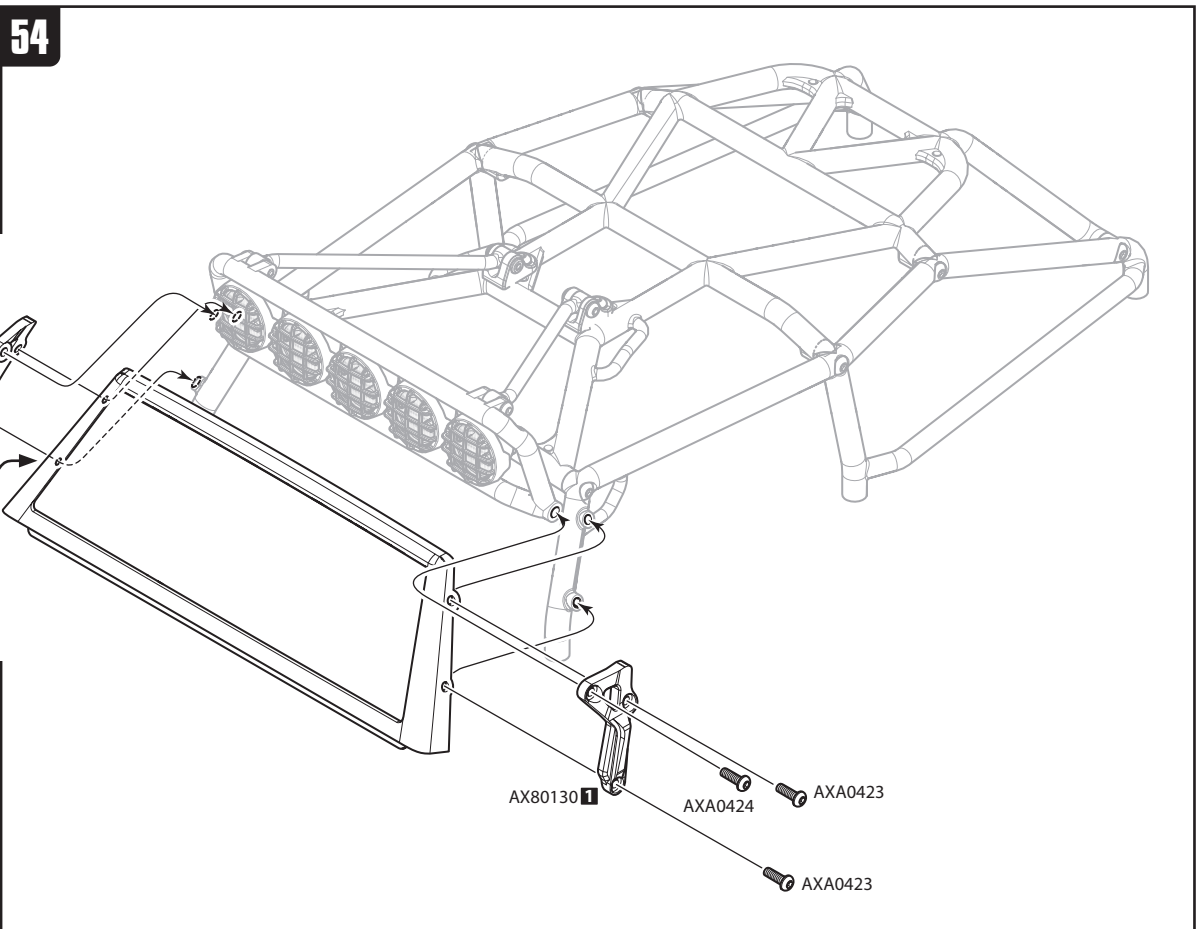


**AXA0423** x4  
M2.6x8mm

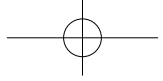


**AXA0424** x2  
M2.6x10mm

**54**



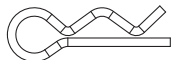
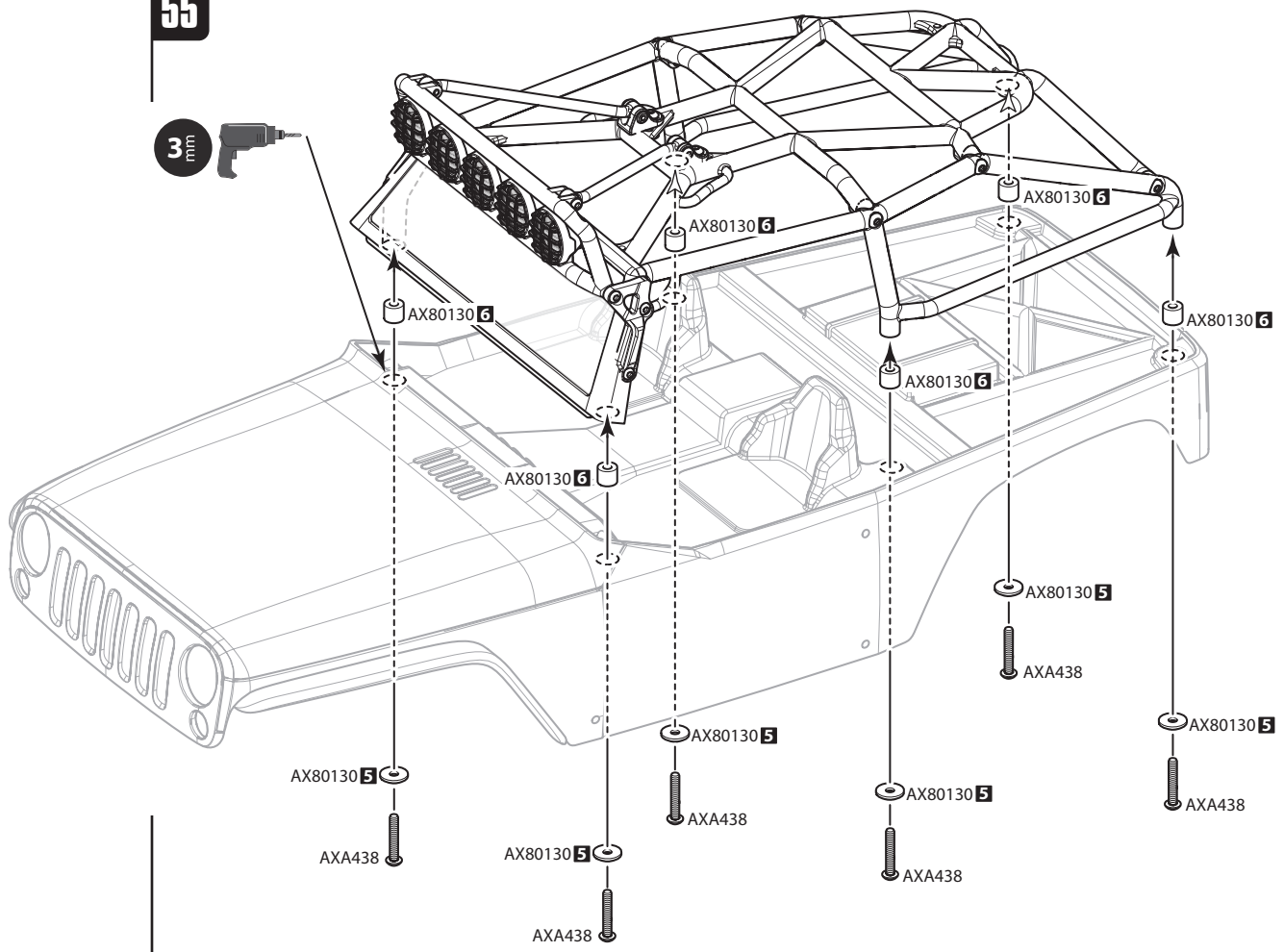
**AX80130** x1  
Light Bar Bracket



**AXA438** x6  
M3x18mm

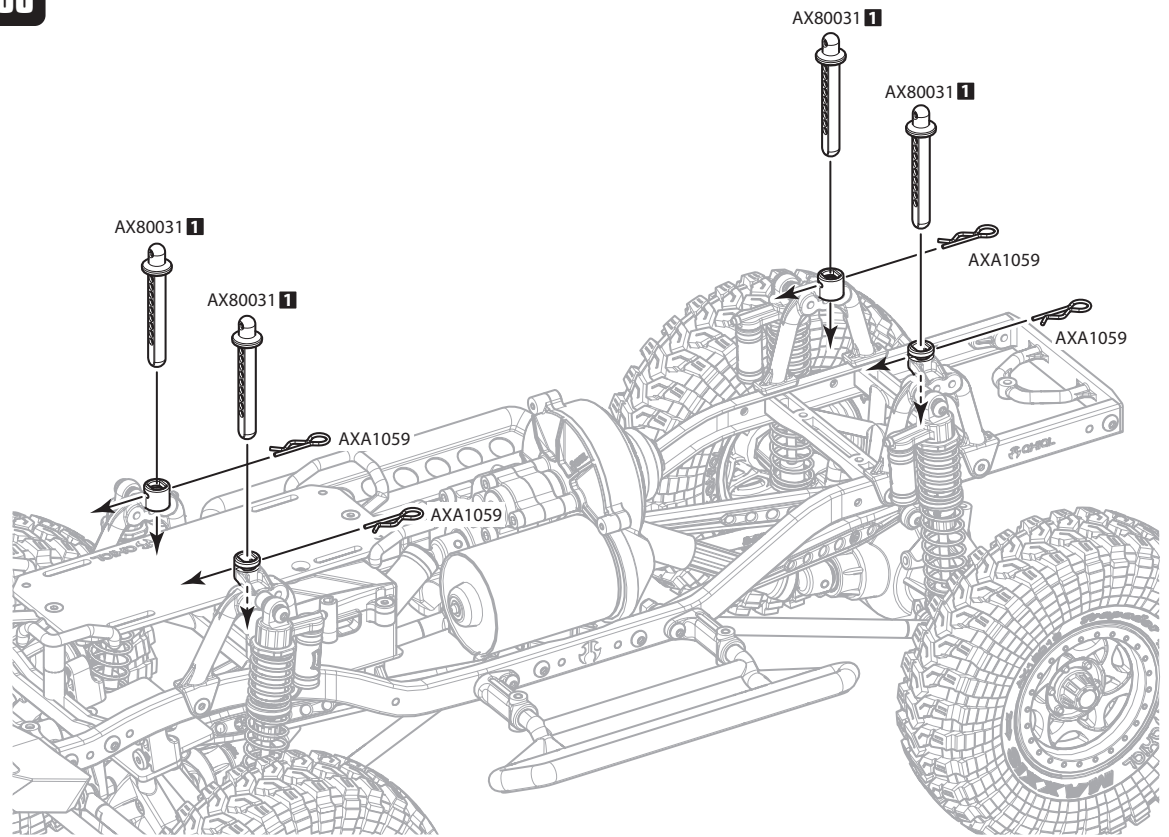
**55**

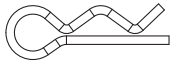
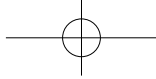
**3**  
mm



**AXA1059** x4  
6mm Body Clip

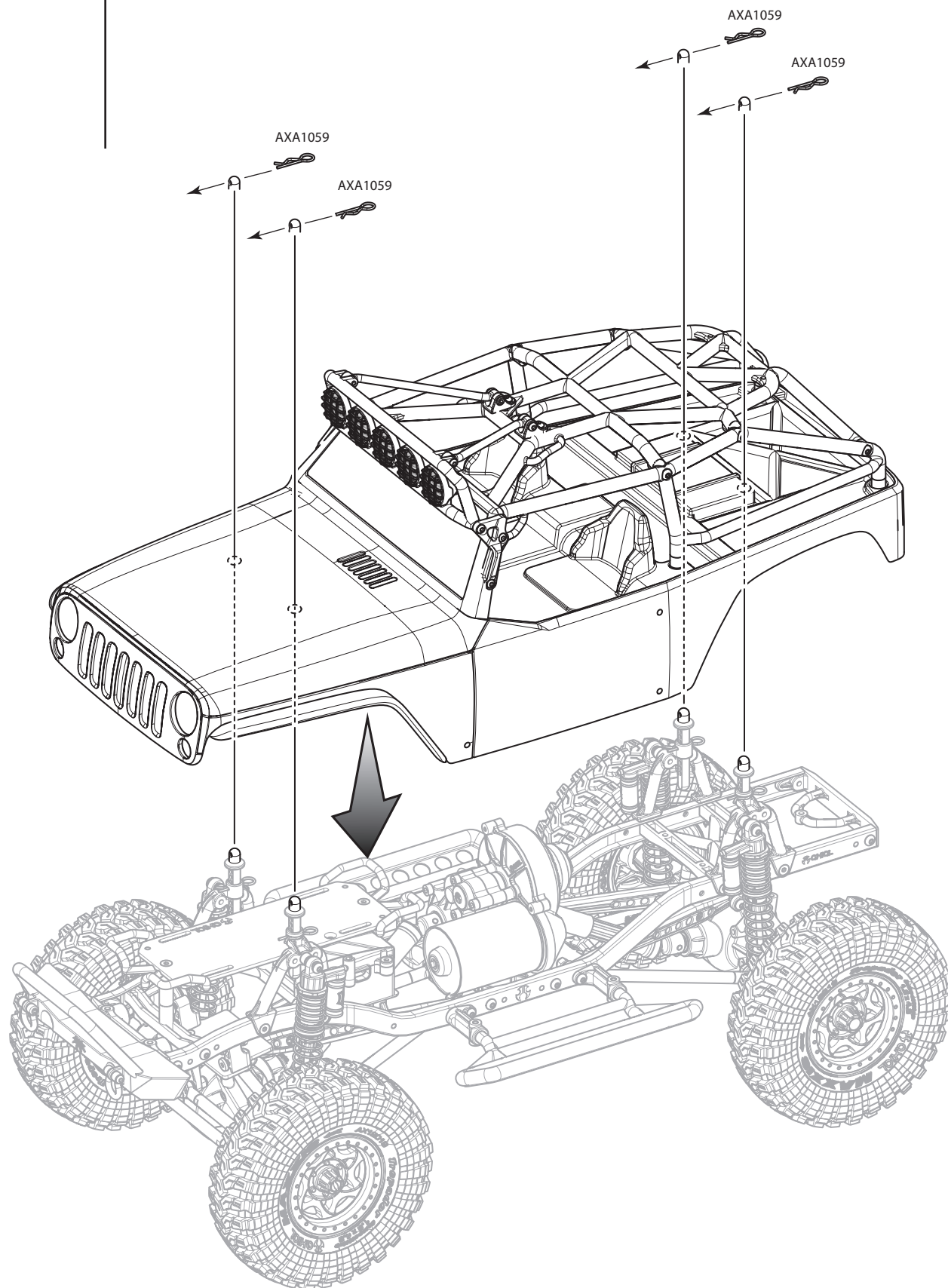
**56**





**AXA1059**  
6mm Body Clip **x4**

**57**



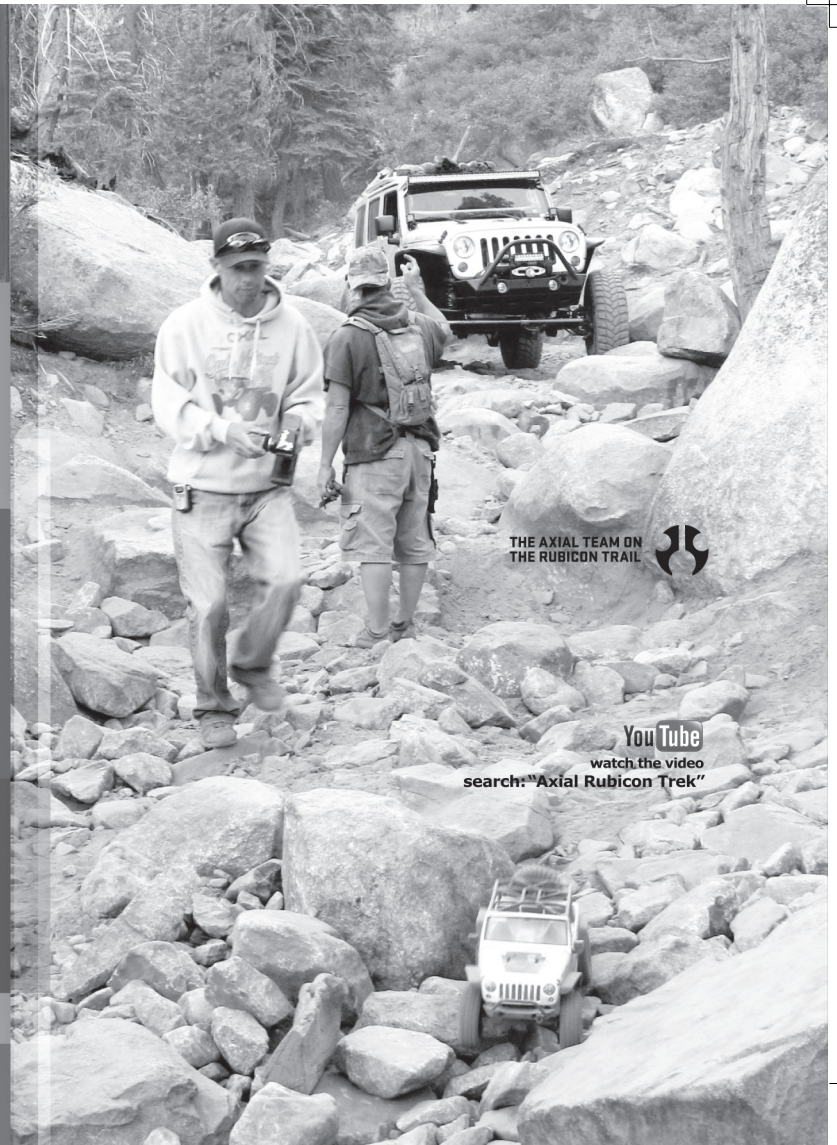
SCX10 | RTR




### THE AXIAL RUBICON TREK

Recently, the Axial SCX10 completed an incredible trek by **successfully traversing** one of the most recognized off-road trails in the world - **The Rubicon Trail**. Starting at Loon Lake, the Axial SCX10 Jeep® Wrangler Unlimited Rubicon made it's way along the Rubicon Trail until it finally reached it's destination, three days later, at the Homewood staging area. And by **traveling approximately fifteen miles** through some of the Rubicon Trail's harshest spots like Gatekeeper, Walker Hill, Lil Sluice, Soup Bowl and Cadillac Hill, the SCX10 Jeep® Wrangler Unlimited Rubicon **earned the coveted Jeep® brand Trail Rated® badge**. Just like their full-scale counterparts, the SCX10 had to earn this badge. And what better way to do it than on the very trail Jeep® uses as a proving ground for their vehicles.

CREW: FOUR  
VEHICLES: TWO (1:1 SCALE AND 1:10 SCALE)  
BATTERIES: SIX LIPO PACKS (ONYX 7.4V 5000MAH LIPO)  
START: LOON LAKE  
FINISH: HOMEWOOD STAGING AREA  
DURATION: THREE DAYS  
DISTANCE TRAVELED: APPROX. FIFTEEN MILES



THE AXIAL TEAM ON THE RUBICON TRAIL 

YouTube  
watch the video  
search: "Axial Rubicon Trek"

# ENGINEERED TO GO THE DISTANCE™

#### OFFICIALLY LICENSED:

- ▶ JEEP® WRANGLER UNLIMITED RUBICON BODY
- ▶ POISON SPYDER ROCK BRAWLER BUMPERS
- ▶ POISON SPYDER CRUSHER FLARES
- ▶ MAXXIS TREPADOR TIRES
- ▶ WALKER EVANS RACING WHEELS

#### FEATURES:

- ▶ REALISTIC OIL-FILLED COILOVER SHOCKS WITH DUAL RATE SPRINGS
- ▶ HIGH STRENGTH C-CHANNEL CHASSIS FRAME
- ▶ HARDENED AXLE SHAFTS WITH FRONT AND REAR DIFF LOCKERS
- ▶ 2.4GHz RADIO SYSTEM INCLUDED. JUST ADD BATTERIES AND A CHARGER!



## SCX10

AX90028 // // // // // // // // // //  
READY-TO-RUN  
**2012 JEEP WRANGLER UNLIMITED RUBICON**  
1/10TH SCALE ELECTRIC 4WD - RTR



#### OFFICIALLY LICENSED TECHNICAL PARTNERS:



www.axialracing.com

© 2013 Axial R/C Inc. A subsidiary of Hobbico, Inc.  
Jeep and related logos, vehicle model names and trade dresses are trademarks of Chrysler Group LLC and are used under license by Axial Inc. © Chrysler Group LLC 2013.

# JEEP® WRANGLER WRAITH POISON SPYDER ROCK RACER

1/10th SCALE ELECTRIC 4WD #AX90031

**READY TO RUN**



OFFICIALLY LICENSED TECHNICAL PARTNERS:



CHECK OUT OUR PRODUCTS AND VIEW OUR ENTIRE PRODUCT LINE AT [WWW.AXIALRACING.COM](http://WWW.AXIALRACING.COM):



**AX90028**  
2012 JEEP® WRANGLER UNLIMITED RUBICON  
**READY TO RUN**



**AX90027**  
2012 JEEP® WRANGLER UNLIMITED RUBICON  
**BUILDER'S KIT**



**AX90018**  
WRAITH™ ROCK RACER  
**READY TO RUN**



**AX90020**  
WRAITH™ ROCK RACER  
**BUILDER'S KIT**



**AX90022**  
SCX10™ TRAIL HONCHO™  
**READY TO RUN**

## OUR STORY:

Founded in 2005, Axial, Inc. has quickly climbed to the top of the R/C market by offering a dynamic line of class-leading radio control chassis and accessories for the entire scope of the hobby, from novice users to competitors. Every component of our product line is researched and developed to offer superior performance, durability, and style. A true lifestyle brand, Axial is regularly involved in local and national events which allow us to keep our finger on the pulse of the R/C culture. We're feeling the love in return, earning coveted awards including "Truck of the Year" (Radio Control Car Action 2008), "Best Product" (RCCrawler.com 2007 - People's Choice), "Most Innovative Product" (RCCrawler.com 2007; RC Car Action 2008 - People's Choice) and "X-Best" (Xtreme RC Cars 2010).

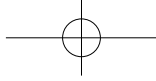


Jeep and related logos, vehicle model names and trade dresses are trademarks of Chrysler Group LLC and are used under license by Axial Inc. © Chrysler Group LLC 2013. BFGoodrich® Tires Trademarks are used under license from Michelin.

**axial**®  
[www.axialracing.com](http://www.axialracing.com)

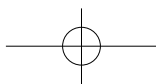
facebook.com/axialinc    youtube.com/axialvideos  
twitter.com/axialrc    flickr.com/axialrc

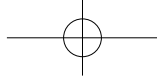




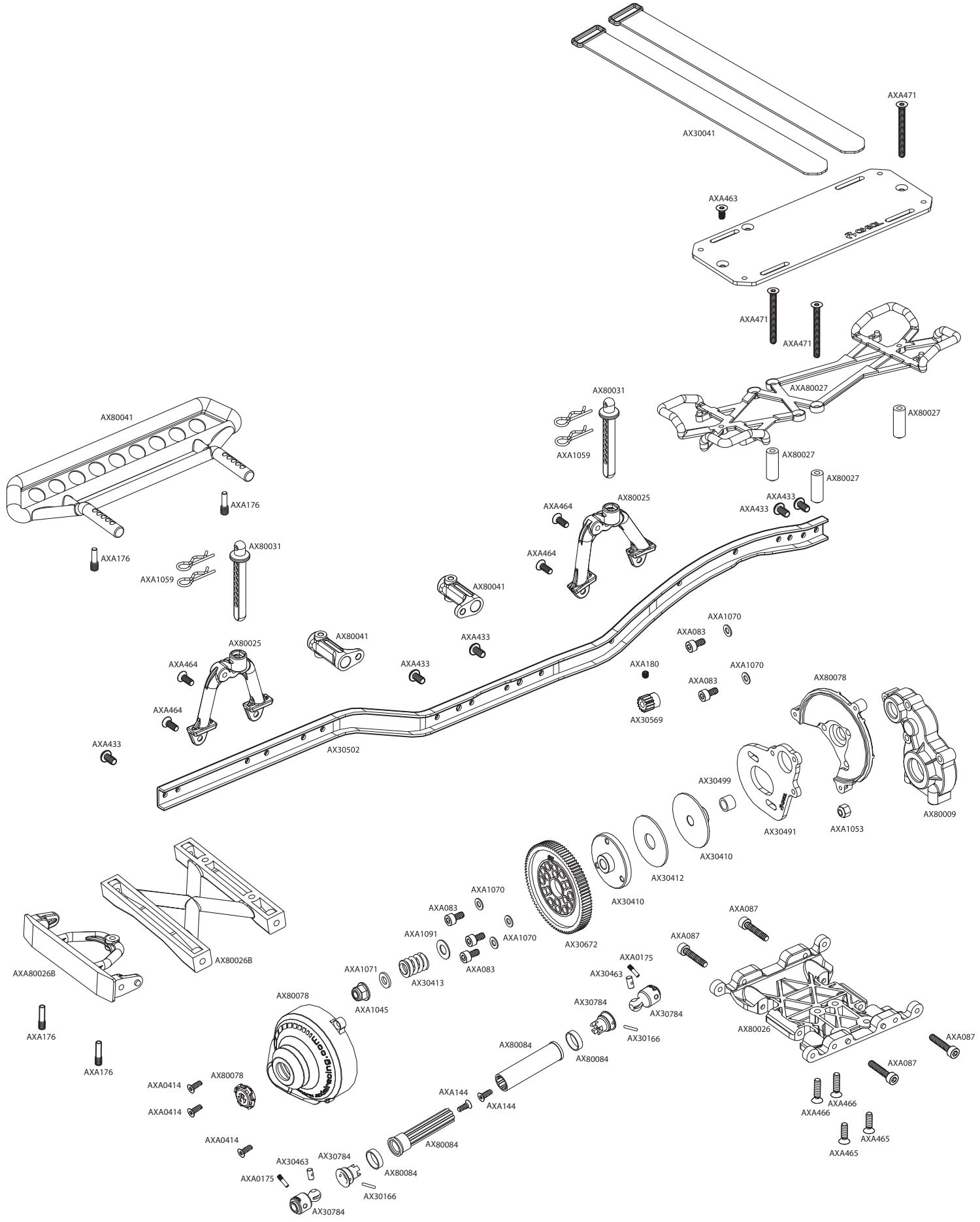
# NOTES

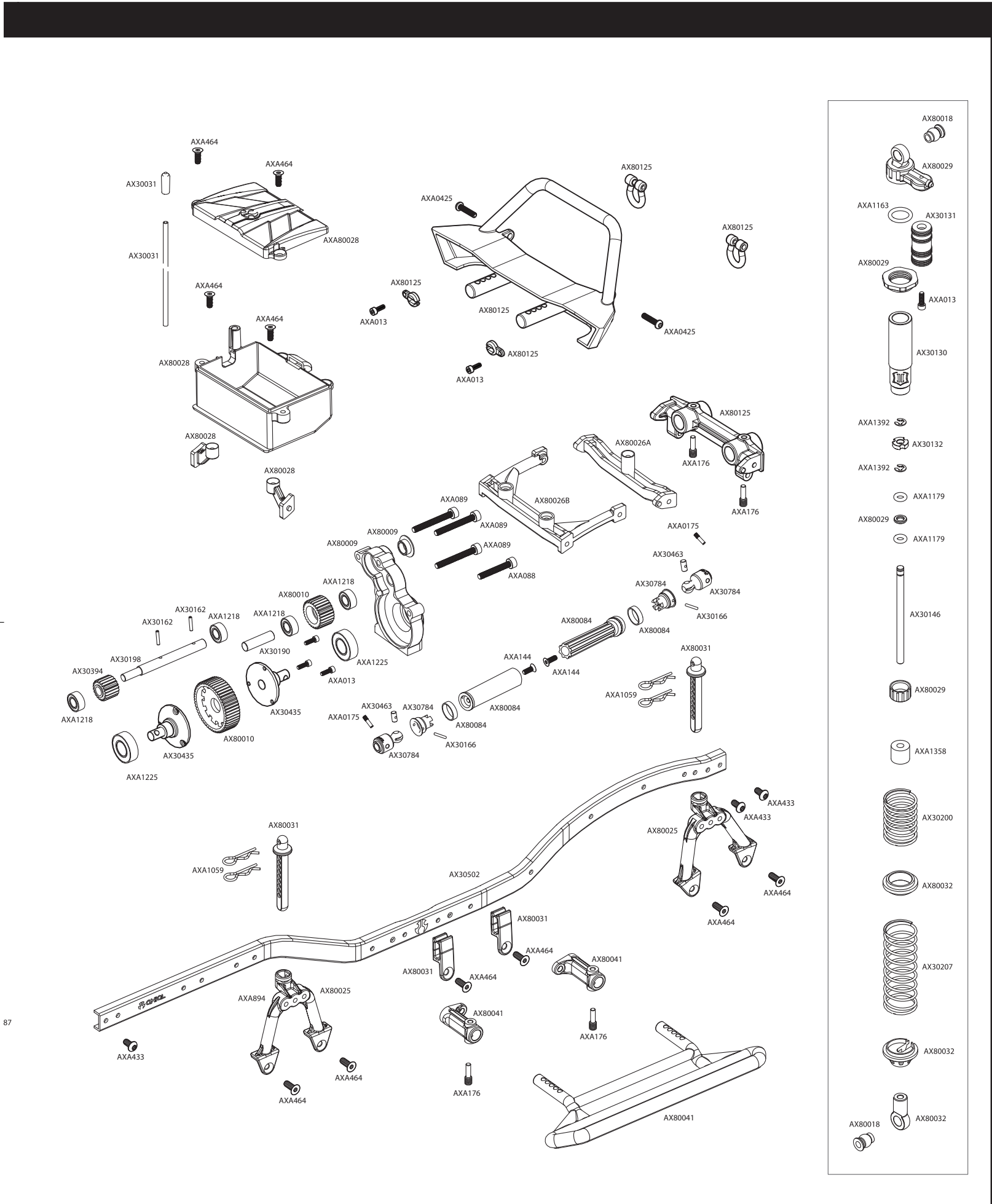
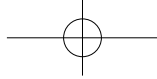
Large empty rectangular area for notes.



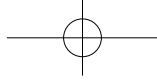


**Exploded View / Explosionsansicht / Vue éclatée**

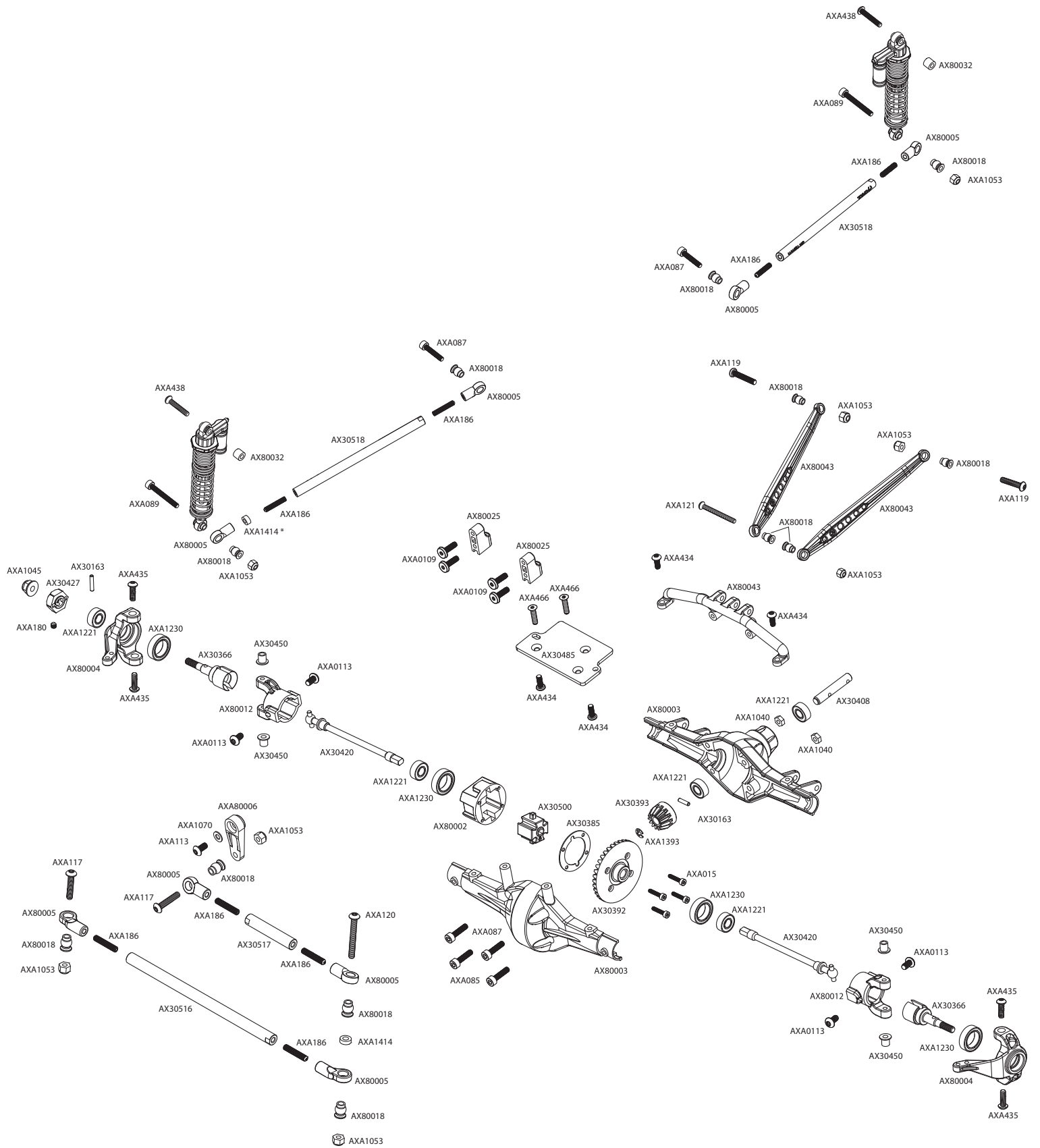




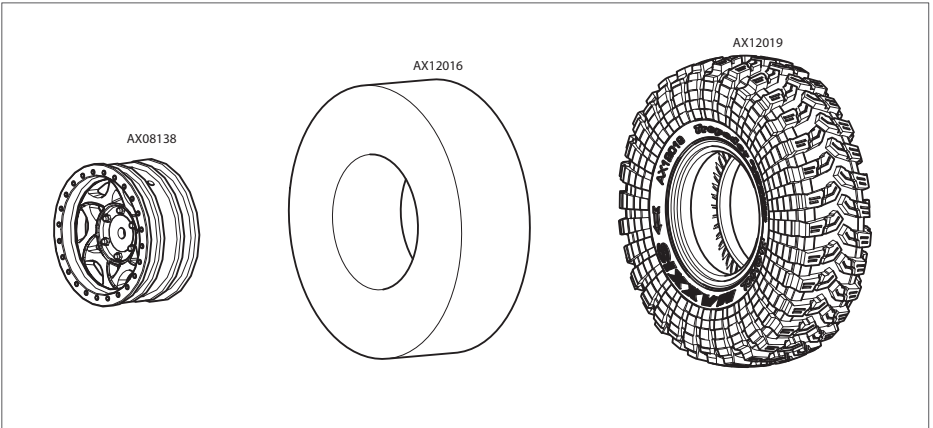
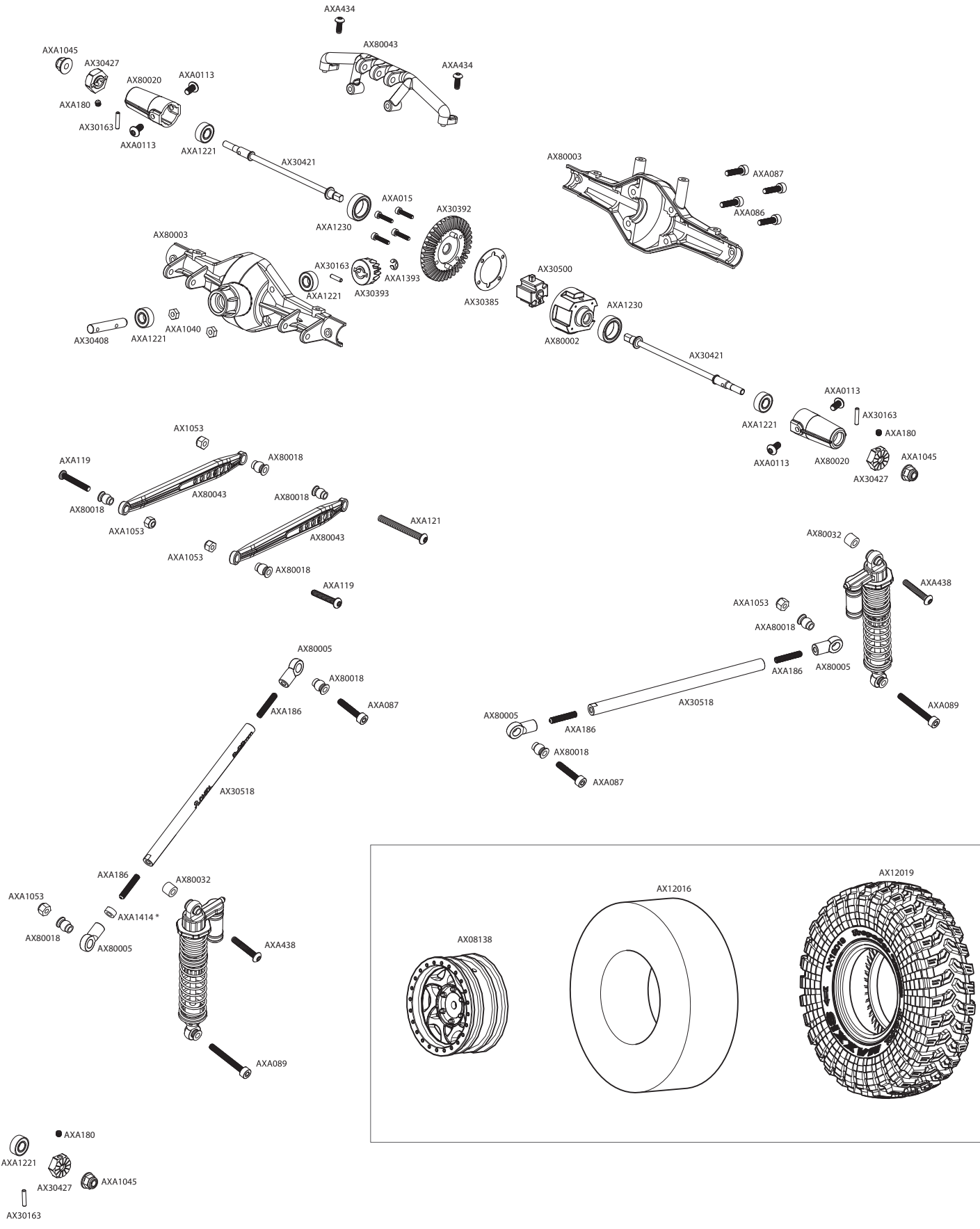
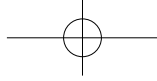
87



**Exploded View / Explosionsansicht / Vue éclatée**



\* For additional servo clearance



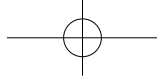
## Parts List

Part #	Description
AX04038	Jeep® Wrangler Rock Racer Body - .040" (Clear) - Body Only
AX08138	1.9 Walker Evans Street Wheel - Black (2pcs)
AX12019	1.9 Maxxis Trepador Tires - R35 Compound (2pcs)
AX30041	Velcro Strap 15x160mm
AX30130	Icon Clear Anodized Aluminum Shock Body 10x38mm (2pcs)
AX30131	Icon Clear Anodized Aluminum Shock Reservoir (2pcs)
AX30132	Machined Shock Piston 7mm - 1.5x3 (4pcs)
AX30146	Shock Shaft 3x50 (2pcs)
AX30162	Pin 1.5x8mm (6pcs.)
AX30163	Pin 2.0x10mm (6pcs.)
AX30166	Pin 1.5x11mm (6pcs)
AX30190	Shaft 5x18 (2pcs.)
AX30198	Slipper Drive Gear Shaft 5x53.5
AX30200	Spring 12.5x20mm 3.6 lbs/in - Super Soft (Red) - (2pcs)
AX30207	Spring 12.5x40mm 4.08 lbs/in - Medium (Green) - (2pcs)
AX30366	Axle 5x35mm (2pcs.)
AX30385	Diff Gasket 16x25x0.5mm (2pcs)
AX30392	Bevel Gear Set (38/13)
AX30394	20T Drive Gear
AX30408	Input Shaft 5x29mm (2pcs)
AX30410	Inner Slipper Plate
AX30411	Outer Slipper Plate
AX30412	Slipper pad 27x8x1mm
AX30413	Slipper spring 8.5x12 165 lbs/in - Black (2pcs)
AX30420	Solid Axle Dogbone 6x74mm (2pcs)
AX30421	Straight Axle 6x104.50mm (2pcs)
AX30427	Axial Narrow 12mm Aluminum Hub - Black (4pcs)
AX30435	Steel Outdrive Shaft Set (2pcs)
AX30450	Flange Pipe 3x4.5x5.5 (4pcs)
AX30463	WB8 Universal Joint Rebuild Kit (2pcs)
AX30483	AX10 Scorpion Radio Plate
AX30485	AX10 Scorpion Servo Plate
AX30491	AX10 RTR Motor Plate
AX30499	Transmission Spacer 5x6.9x4.8mm - Grey (2pcs)
AX30500	Heavy Duty Locker (2pcs)
AX30502	SCX10 Chasis Rail Set (2pcs)
AX30516	Threaded Aluminum Pipe 6x106mm - Grey (2 pcs.)
AX30517	Threaded Aluminum Pipe 6x33mm - Grey (2pcs.)
AX30518	Threaded Aluminum Pipe 6x98mm - Grey (2pcs.)
AX30578	Pinion 48DP 20T
AX30672	Spurs 48DP 87T
AX30784	WB8 Driveshaft Coupler Set
AX80002	Diff Case -Small
AX80003	Solid Axle Set
AX80004	Hub Set
AX80005	Linkage Set
AX80006	Servo Set
AX80009	Transmission Set
AX80010	Gear Set
AX80012	C Hub Carrier Set
AX80018	Hardware Parts Tree
AX80020	Plastic Rear Axle Lock-out (2pcs)
AX80025	SCX10 Shock Hoops Parts Tree
AX80026	SCX10 Frame Brace Set
AX80027	SCX10 Battery Tray Holder
AX80028	SCX10 Radio Box Parts Tree
AX80029	Shock Cap Parts Tree
AX80031	Body Mount Parts Tree
AX80032	Shock Parts
AX80041	1/10th Scale Rock Rails Set (2pcs)
AX80043	SCX10 RTR Links Parts Tree
AX80078	Transmission Spur Gear Cover
AX80084	WB8 Driveshaft
AX80085	Universal Mount 5 Bucket Light Bar (Black)
AX80086	Light Bar Lenses (Clear) (5pcs)
AX80115	Light Bar Lens Grills (Axial, PIAA, Un-Marked)
AX80125	SCX10 Poison Spyder JK Brawler Lite Front Bumper
AX80129	Roll Cage Top
AX80130	Roll Cage Sides
AX8079	Axial Hub Cover Set - Black (4pcs)
AXA0109	M3x10mm Oversized Flat Hex Socket (Black) (10pcs)

Part #	Description
AXA0113	M3x6mm Hex Socket Button Head (Black) (10pcs)
AXA013	M2x6 mm Cap Head (Black) (10pcs)
AXA015	M2x10mm Cap Head (Black) (10pcs)
AXA0175	Screw Shaft M3x2.5x11mm (10pcs)
AXA0414	M2.6x10mm Hex Socket Tapping Flat Head (Black) (10pcs)
AXA0423	M2.6x8mm Hex Socket Tapping Button Head (Black) (10pcs)
AXA0424	M2.6x10mm Hex Socket Tapping Button Head (Black) (10pcs)
AXA0425	M2.6x12mm Hex Socket Tapping Button Head (Black) (10pcs)
AXA083	M3x6mm Cap Head (Black) (10pcs)
AXA085	M3x10mm Cap Head (Black) (10pcs)
AXA087	M3x16mm Cap Head (Black) (10pcs)
AXA088	M3x20mm Cap Head (Black) (10pcs)
AXA089	M3x25mm Cap Head (Black) (10pcs)
AXA1040	M3 Thin Hex Nut (Black) (10pcs)
AXA1045	M4 Nylon Lock Nut (Black) (10pcs)
AXA1053	M3 Nylon Locking Hex Nut (Black) (10pcs)
AXA1059	6mm Body clip (Black) (10pcs)
AXA1070	Washer 3x6x0.5 (10pcs)
AXA1071	Washer 4x8x0.5mm (10pcs)
AXA1091	Washer 5x10x.5 (Black) (10pcs)
AXA114	M3x8mm Hex Socket Button Head (Black) (10pcs)
AXA1163	O-Ring 7x1mm (10pcs)
AXA117	M3x15mm Hex Socket Button Head (Black) (10pcs)
AXA1179	O-Ring 2.5x1.5mm (10pcs)
AXA119	M3x20mm Hex Socket Button Head (Black) (10pcs)
AXA120	M3x25mm Hex Socket Button Head (Black) (10pcs)
AXA121	M3x30mm Hex Socket Button Head (Black) (10pcs)
AXA1218	Bearing 5x10x4mm (2pcs)
AXA1221	Bearing 5x11x4mm (2pcs)
AXA1225	Bearing 8x16x5mm (2pcs)
AXA1230	Bearing 10x15x4mm
AXA1358	Shock Damper 3x7x8 (10pcs)
AXA1392	E2 e-clip (10pcs)
AXA1393	E2.5 e-clip (10pcs)
AXA1414	2x6mm Spacer - Grey (6pcs)
AXA144	M3x8mm Hex Socket Flat Head (Black) (10pcs)
AXA176	Screw Shaft M3x2.5x12mm (10pcs)
AXA180	M3x3mm Set Screw (Black) (10pcs)
AXA186	M3x16mm Set Screw (Black) (10pcs)
AXA433	M3x6mm Hex Socket Tapping Button Head - Black (10pcs)
AXA434	M3x8mm Hex Socket Tapping Button Head (Black) (10pcs)
AXA435	M3x10mm Hex Socket Tapping Button Head (Black) (10pcs)
AXA436	M3x12mm Hex Socket Tapping Button Head (Black) (10pcs)
AXA438	M3x18mm Hex Socket Tapping Button Head (Black) (10pcs)
AXA463	M3x6mm Hex Socket Tapping Flat Head (Black) (10pcs)
AXA464	M3x8mm Hex Socket Tapping Flat Head (Black) (10pcs)
AXA465	M3x10mm Hex Socket Tapping Flat Head (Black) (10pcs)
AXA466	M3x12mm Hex Socket Tapping Flat Head (Black) (10pcs)
AXA471	M3x30mm Hex Socket Tapping Flat Head (Black) (10pcs)

### Option Parts

AX04032	AX10 Ridgecrest Body - .040" (Clear)
AX04035	2012 Jeep Wrangler Unlimited Rubicon™ Body - .040" (Clear) - Complete
AX04039	AX10 Deadbolt Body - .040" (Clear)
AX08140	1.9 Walker Evans Street Wheel - Chrome/Black (2pcs)
AX12016	1.9 Ripsaw Tires - R35 Compound (2pcs)
AX24003	20T Electric Motor
AX24004	Axial 27T Electric Motor
AX24007	Axial 55T Electric Motor
AX24010	Brushless 2900KV Electric Motor
AX24206	2.4GHz Radio System (2 Channel) (AX-3, AR-3)
AX24251	Axial NVS - Night Visions System
AX24252	Axial Double LED Light String (White LED)
AX24253	Axial Double LED Light String (Red LED)
AX24254	Axial Double LED Light String (Orange LED)
AX24255	Axial Single LED Light String (White LED)
AX24256	Axial 5 LED Light String (White LED)
AX24257	Simple LED Controller w/LED lights (4 white and 2 Red)
AX24258	4 LED Light String (White LED)
AX24259	Axial AE-2 Forward/Reverse ESC w/ Drag Brake



## Parts List

Part #	Description	Part #	Description
AX24260	AE-3 Vanguard ESC	AX4010	Axial Dingo Truck Body - .040" uncut (Clear)
AX30090	Axial 61-90mm Aluminum Shock Set - 7mm Piston (2pcs)	AX4010R	Axial Dingo Truck Body - .040" uncut (Clear) - Body Only
AX30114	Axial Hard Anodized Aluminum Shock Reservoir (2pcs)	AX4025	Axial Trail Honcho Truck Body - .040" uncut (Clear) w/Molded Rear Cage
AX30115	Axial Hard Anodized Aluminum Pre-load collar (2pcs)	AX4025R	Axial Trail Honcho Truck Body - .040" uncut (Clear) - Body Only
AX30117	Axial Hard Anodized Aluminum Shock Body 10x38mm (2pcs)	AX80037	Interior Details Parts Tree - Black
AX30201	Spring 12.5x20mm 4.32 lbs/in - Soft (White) - (2pcs)	AX80038	Exterior Detail Parts Tree - Black
AX30202	Spring 12.5x20mm 5.44 lbs/in - Medium (Green) - (2pcs)	AX80039A	1/10th Scale Front Plate Bumper Set
AX30203	Spring 12.5x20mm 6.53 lbs/in - Firm (Yellow) - (2pcs)	AX80039B	1/10th Scale Rear Plate Bumper Set
AX30204	Spring 12.5x20mm 7.95 lbs/in - Super Firm (Blue) - (2pcs)	AX80040	1/10th Scale Fender Flare Set (2pcs)
AX30205	Spring 12.5x40mm 2.7 lbs/in - Super Soft (Red) - (2pcs)	AX80047	Interior Details Parts Tree - Chrome
AX30206	Spring 12.5x40mm 3.6 lbs/in - Soft (White) - (2pcs)	AX80048	Exterior Detail Parts Tree - Chrome
AX30208	Spring 12.5x40mm 5.44 lbs/in - Firm (Yellow) - (2pcs)	AX80049	Axial LED Lens Set - Yellow/Clear (4pcs)
AX30209	Spring 12.5x40mm 6.81 lbs/in - Super Firm (Blue) - (2pcs)	AX80051	Dig Transmission Case
AX30395	Heavy Duty Bevel Gear Set - 38T/13T	AX80068	Dig Linkage Set
AX30401	Heavy Duty Bevel Gear Set - 36T/14T	AX80125	SCX10 Poison Spyder JK Brawler Lite Front Bumper
AX30402	Heavy Duty Bevel Gear Set - 43T/13T	AX80126	SCX10 Poison Spyder JK RockBrawler™ Rear Bumper and Tire Carrier
AX30414	AX10 Scorpion Slipper Clutch Set	AX8080	Axial Hub Cover Set - Satin Chrome (4pcs)
AX30437	Dig Lockout Shaft	AX8087	Axial 1.9 8 Hole Beadlocks - Black (2pcs)
AX30464	AX10 Scorpion Universal Set (2pcs)	AX8088	Axial 1.9 8 Hole Beadlocks - Satin Chrome (2pcs)
AX30487	AX10 Locked Transmission Set	AX8122	Axial 1.9 Beadlock Ring - Grey (2pcs)
AX30488	AX10 Locked Axle Set	AX8127	Axial 1.9 Rock Beadlock Ring - Grey (2pcs)
AX30489	Transmission Spacer 5x6.9x4.8mm	AXA1046	M4 Serrated Nylon Lock Nut (Blue) (4pcs)
AX30494	Aluminum Rear Axle Lockout (2pcs)	AXA1076	Cap Head Washer M3x10mm (4pcs)
AX30495	Aluminum C Hub Carrier - Black (2pcs)	AXA1101	Cone Washer 3x6.9x2mm (6pcs)
AX30496	Aluminum Knuckle - Black (2pcs)	AXA1104	Cone Washer 3x6.9x2mm - Orange (6pcs)
AX30547	1.9 Internal Wheel Weight Ring 43g/1.5oz (2pcs)	AXA1105	Cone Washer 3x6.9x2mm - Grey (6pcs)
AX30548	1.9 Internal Wheel Weight Insert 9g/0.33oz (4pcs) (for use with AX30547)	AXA1331	Flanged Ball 3x5.8x7mm (6pcs)
AX30549	Axial Aluminum Wheelbase Links Set 11.4" (290mm) SCX10		
AX30550	SCX10 TR Links Set - 12.3" (313mm) WB		
AX30569	Pinion 48P 14T - Steel		
AX30571	Pinion 48P 13T - Steel		
AX30572	Pinion 48DP 14T		
AX30573	Pinion 48P 15T - Steel		
AX30665	Spur 48DP 80T		
AX30708	AX10 Locked Transmission - Complete Metal Gear Set - Steel (3pcs)		
AX30786	WB8 Driveshaft Retainer Ring (Aluminum) (2pcs)		
AX30793	Dig Component Set		
AX30794	WB8 Driveshaft Set (2pcs)		
AX30831	AR60 OCP™ Front Axle Set (Complete)		
AX30834	Aluminum Servo Horn 23T		
AX30835	Aluminum Servo Horn 24T		
AX30836	Aluminum Servo Horn 25T		
AX30860	Machined Motor Plate (Hard Anodized)		

## Warranty Info

### AXIAL LIMITED WARRANTY

Your Axial product is warranted to be free of defects in materials and workmanship when new in the factory sealed box. This warranty does not cover damages due to normal wear and tear, users' failure to perform routine maintenance, error of assembly or installation, modifications or addition of aftermarket parts or option parts. This warranty lasts as long as the original purchaser owns the product and is not transferable (verified by dated itemized sales receipt accompanied with product). In the event of a defect under this warranty, Axial will, at our discretion, repair or replace the product, provided our inspection indicates that an original defect exists. Axial provides a 10-day warranty from the date of purchase on electronics (i.e. servo, esc, radio). Axial reserves the right to replace any product which is no longer available with a product of comparable value and function. If Axial determines the repair is not covered under warranty guidelines, there could be a charge applied for the repair and return shipping charges. Note: Purchasing products from unauthorized distributors may void warranty and prevent support and service.

### INTERNATIONAL CUSTOMER WARRANTY

Please return product to the dealer where the purchase was made. If your Axial product purchase was made through an on-line retailer, any warranty issues must be taken care of by that retailer. Axial assumes no responsibility for Axial products sold internationally by on-line retailers.

### REPAIR

For warranty repair, please contact Axial Customer Service at (877) 64-AXIAL (877-642-9425).

### HOURS AVAILABLE:

8:00 am - 5:00 pm Monday through Friday, Central Time.

OFFICIALLY LICENSED TECHNICAL PARTNERS:

**MAXXIS**



**ICON**  
VEHICLE DYNAMICS

**TrekArmor**



**VANQUISH**  
PRODUCTS

**PIAA**

**FUELSAFE**  
Racing Cells



**EXPLORE**

[facebook.com/axialinc](http://facebook.com/axialinc) | [twitter.com/axialrc](http://twitter.com/axialrc) | [youtube.com/axialvideos](http://youtube.com/axialvideos) | [flickr.com/axialrc](http://flickr.com/axialrc)



**8 GOODYEAR  
SUITE 125  
IRVINE, CA 92618**

AX90034-1001

Jeep and related logos, vehicle model names and trade dresses are trademarks of Chrysler Group LLC and used under license by Axial R/C Inc. © Chrysler Group LLC 2013.

[www.axialracing.com](http://www.axialracing.com)